



Triango 100 Ceiling Pre-Installation Guide



D^{med}® **Triango 100**

Treatment light

TABLE OF CONTENTS

SECTIONS:

SYMBOLS	2
IMPORTANT	2
GENERAL INFORMATION.....	2
SUPER STRUCTURE REQUIREMENT	3
DRILLING TEMPLATE	3
TYPICAL INSTALLATION	4
ELECTRICAL REQUIREMENTS.....	5
EXAMPLES OF MOUNTING SYSTEMS	5
REDUCING THE DROP TUBE LENGTH	7

SYMBOLS

The warning symbols indicate all instructions that are important for safety. Failure to comply with them can lead to injury, damage to the luminaire or the equipment. In combination with the following signal words the warning symbols means:



DANGER

Indication of hazards that can lead **to death or serious injury** if measures are disregarded.

WARNING

Indication of hazards that can lead to **injury** if measures are disregarded.



Manufacturer

Publication Revision

09-30-2022

Revision Level: A

IMPORTANT

Triango 100 C treatment light should only be installed by very qualified technicians with great mechanical and electrical knowledge. Failure to install the fixture properly can cause serious injury or even death.

GENERAL INFORMATION

The Pre-installation manual is to be used to prepare an adequate and safe installation site for the Triango 100 C treatment light. The manual is to be used by qualified individuals, as an aid, to prepare an installation site. All required specifications in this manual, must be verified by structural and electrical experts.

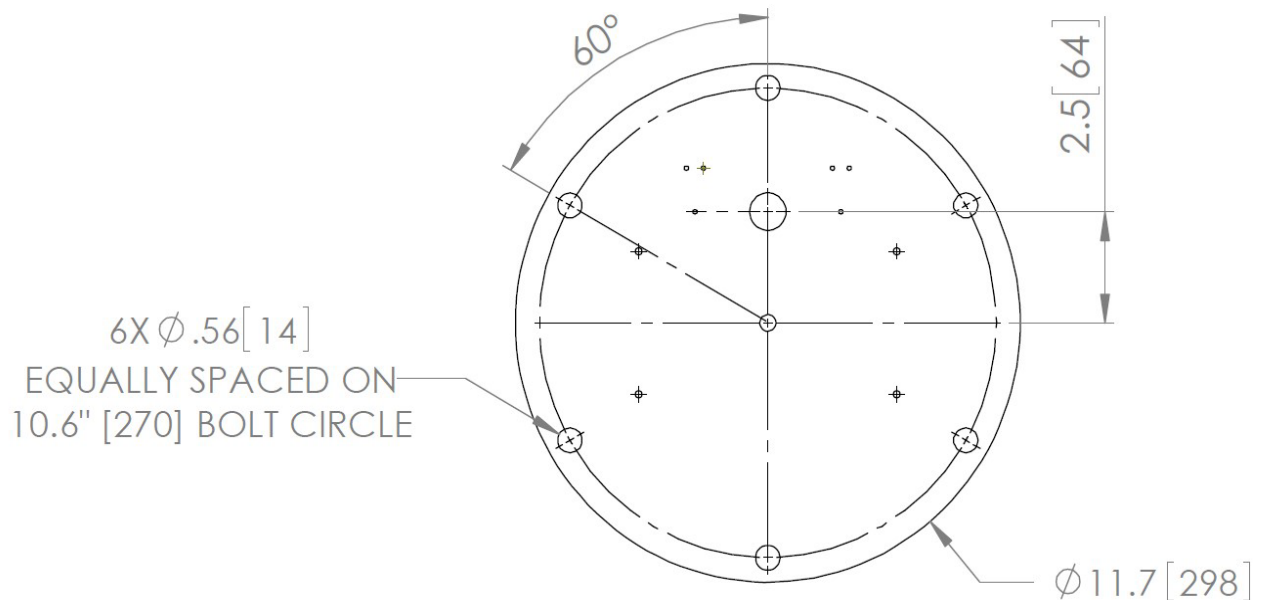
SUPER STRUCTURE REQUIREMENT

The fixture should only be installed to a very solid super structure capable of withstanding a minimum 1860 in-lbs (210 Nm) and a minimum vertical weight force of 45 lbf (205N). If mounting directly to concrete, concrete strength must be B25 (C20/25) or greater.

Use only factory supplied mounting accessories to attach the exam light to the super structure.

Prior to building a super structure, the drop tube length must be calculated for recommended arm clearance of 78-82". Failure to do so may result in an incorrect installation height. Consult factory for drop tube calculations.

DRILLING TEMPLATE



Drilling Template (not to scale). Use mounting plate for marking.

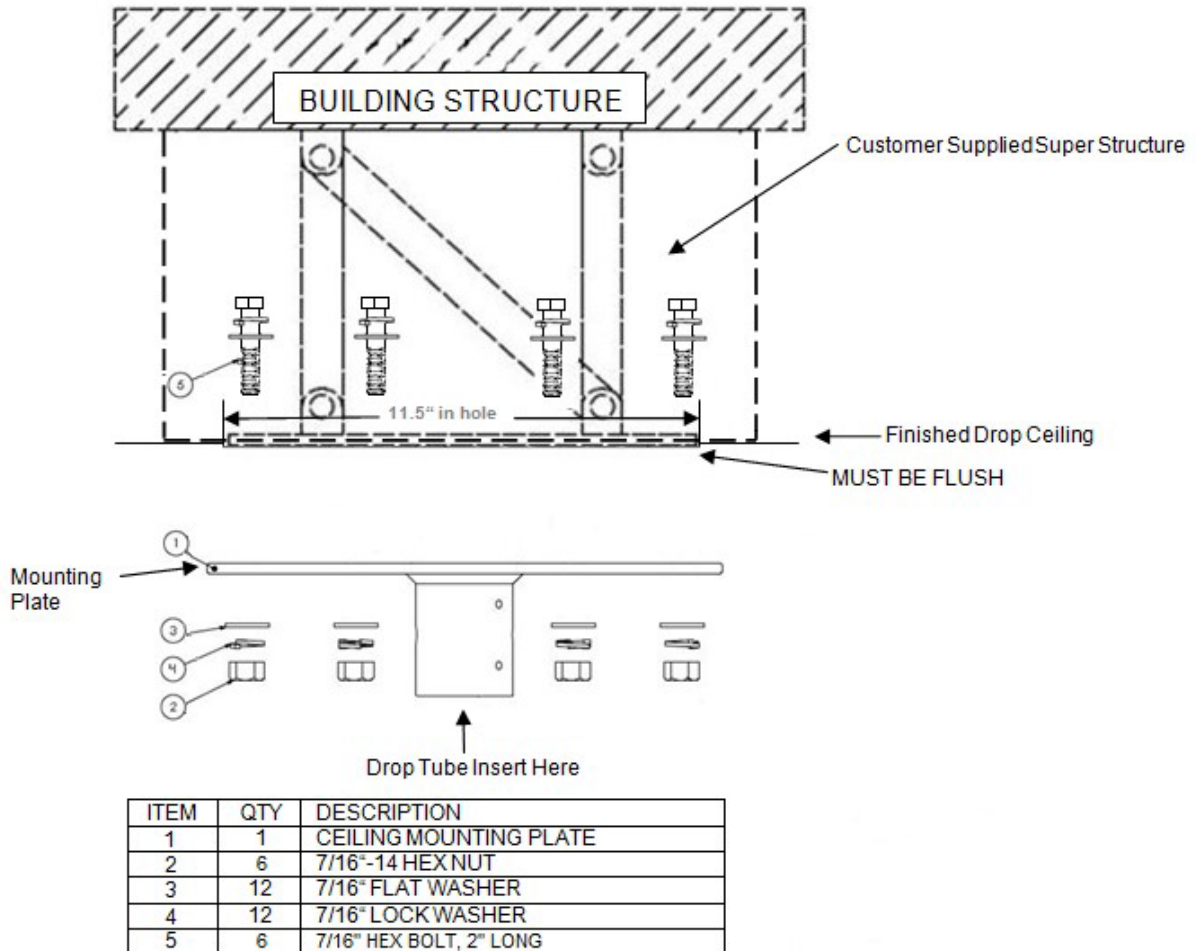
Note:

The super structure must be solid and larger than the shown template dimensions. Optional Mounting Adapter can be used if this is not possible.

TYPICAL INSTALLATION

Shown: Installation directly to customer supplied mounting structure.

FOR REFERENCE ONLY. Fixture to be installed according to all local electrical and buiding codes only.



⚠ DANGER

Mounting by qualified personnel

- ▶ Mounting must be done by qualified personnel only. Lack of appropriate knowledge could be life-threatening
- ▶ The ceiling must be made of solid concrete or strong steel super structure to guarantee a secure hold

⚠ WARNING

Light may fall if inaccurately fastened.

- ▶ Tighten all bolts evenly to insure proper installation.

ELECTRICAL REQUIREMENTS

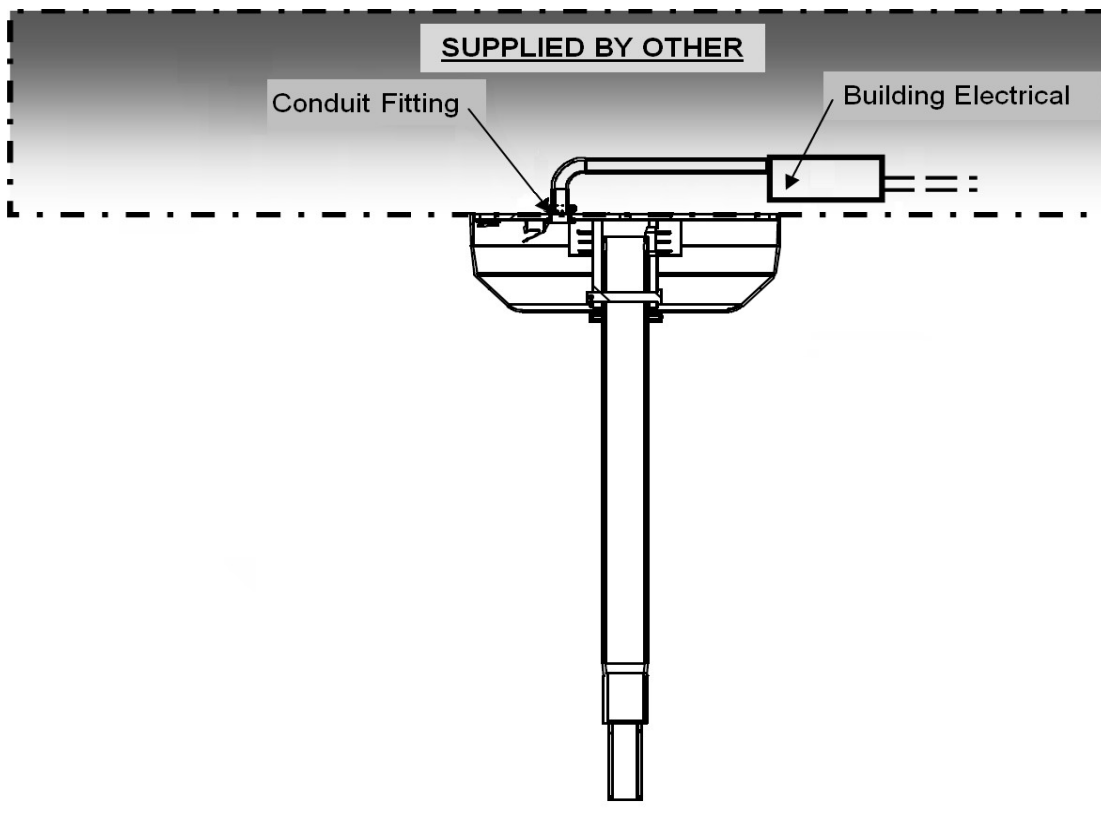
Building wiring must be provided by contractor to meet the installation requirements.

Supply wiring should be a minimum of 14AWG, with a line, neutral and ground. Wire should be rated for 600V. The luminaire must be isolated from the mains by use of a main circuit breaker. Consult a qualified electrical contractor to insure proper electrical feed.

Supply must be 100-240VAC, and capable of handling 3 Amps.

Typical Wiring Installation (shown with optional mounting plate)

FOR REFERENCE ONLY. Fixture to be installed according to all local electrical and building codes only.



DANGER

Electric shocks are life-threatening.

- ▶ Do not insert any power cable that is damaged.
- ▶ If there is any sign of damage to the power cable, replace it immediately with a new one ▶ The supply voltage and frequency must match the data on the type plate.
- ▶ Only connect to the mains power supply with a protective conductor
- ▶ The luminaire must be isolated from the mains by use of a main circuit breaker.

FOR REFERENCE ONLY.

EXAMPLES OF MOUNTING SYSTEMS

Fixture to be installed according to all local electrical and building codes only.

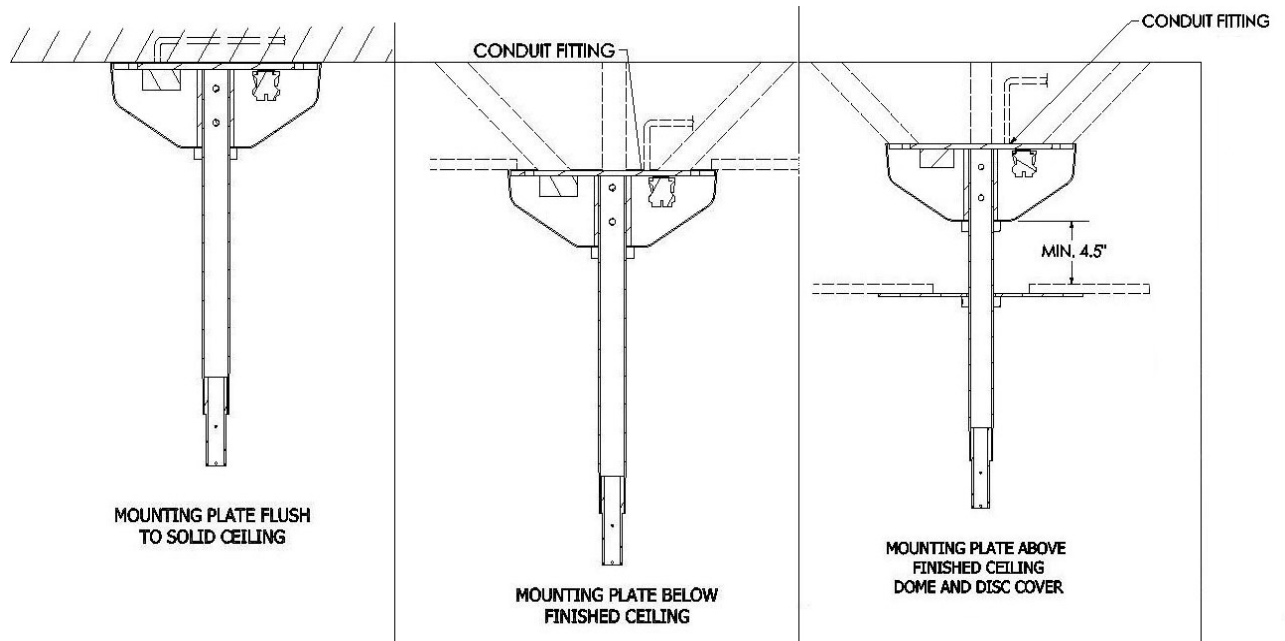


Fig. 1

Fig. 2

Fig. 3

 **DANGER**

Risk of injury from falling parts.

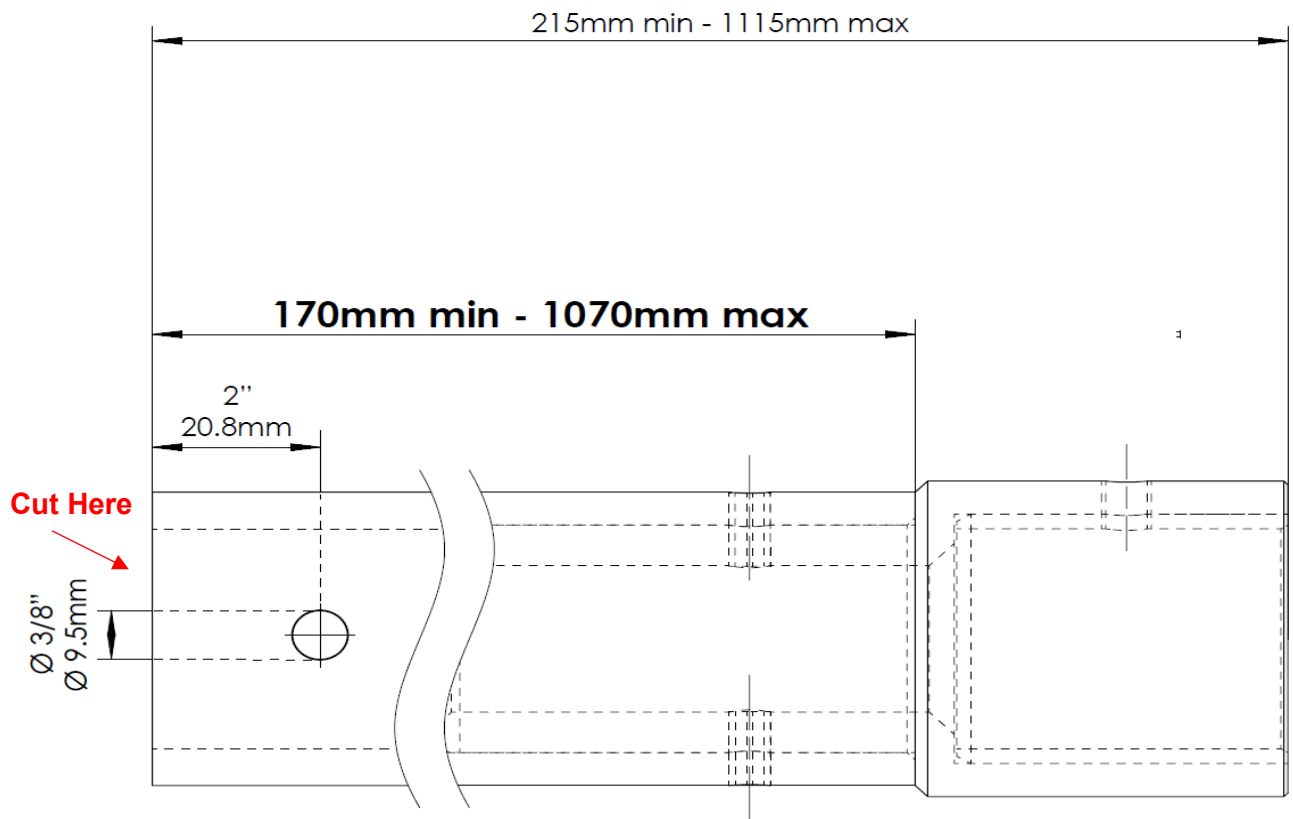
- ▶ The ceiling bearing must be secured to the fastening material, which must be suitable for the corresponding ceiling condition.

All installations must meet local building codes. Please call 800-634-0007 for additional support.

REDUCING THE DROP TUBE LENGTH

Please wear and follow proper safety procedures from manufacturers equipment.

1. Remove required length from the top of the down tube only. Top of tube is the side that is inserted into the mounting plate.
2. Drill new hole pattern on the top of the down tube according to the drawing below.



- Drop pole may be shortened as required, assuming listed dimensions are maintained, and that pole is not damaged or compromised.
- For the 3/8" thru-hole, it is recommended to use the mounting base as a drilling template.

USA

Waldmann Lighting Company
9, W. Century Drive
Wheeling, Illinois 60090
USA
Telephone +1 847 520 1060 Fax
+1 847 520 1730
www.waldmannlighting.com
waldmann@waldmannlighting.co
m

WORLD HEADQUARTERS**GERMANY**

Herbert Waldmann GmbH & Co. KG
P.O. Box 5062
78057 Villingen-Schwenningen
Germany
Telephone +49 7720 601 100
Fax +49 7720 601 290
www.waldmann.com
info@waldmann.com

SWITZERLAND

Derungs Licht AG
Hofmattstrasse 12
9200 Gossau
Schweiz
Telephone +41 71 388 11 66
Fax +41 71 388 11 77
www.derungslicht.com
mailbox@derungslicht.com

**SWITZERLAND**

Waldmann Lichttechnik GmbH
Benkenstrasse 57
5024 Küttingen
Switzerland
Telephone +41 62 839 12 12
Fax +41 62 839 12 99
www.waldmann.com info-
ch@waldmann.com

FRANCE

Waldmann Eclairage S.A.S Z.I.
- Rue de l'Embranchement
67116 Reichstett
France
Telephone +33 3 8820 9588
Fax +33 3 88 20 95 68
www.waldmann.com info-
fr@waldmann.com

AUSTRIA

Waldmann Lichttechnik Ges.m.b.H
Gewerbepark Wagram 7
4061 Pasching/Linz
Austria
Telephone +43 7229 67 400
Fax +43 7229 67 444
www.waldmann.com info-
at@waldmann.com

ITALY

Waldmann Illuminotecnica s.r.l.
Via della Pace, 18 A
20098 S. Giuliano (MI)
Italy
Telephone +39 02 9824 9024
Fax +39 02 9824 6378
www.waldmann.com info-
it@waldmann.com

NETHERLANDS

Waldmann BV
Lingewei 19/4004 LK Tiel
Postbus 45/4000 AA Tiel
Netherlands
Telephone +31 344 631 019
Fax +31 344 627 856
www.waldmann.com info-
nl@waldmann.com

SWEDEN

Waldmann Ljusteknik
Skebokvarnsvägen 370

124 50 Bandhagen

Sweden

Telephone +46 8 990 350 Fax +46 8 991 609 www.waldmann.se hk@waldmann.se **SINGAPORE**

Waldmann Lighting Singapore Pte. Ltd. Blk

168, Jalan Bukit Merah Tower 3,

04-09 B

SG-Singapore 150168

Telephone +65 6275 8300 Fax

+65 6275 8377

www.waldmann.com

waldmann@singnet.com.sg

CHINA

Waldmann Lighting (Shanghai) Co. Ltd.

Part A, No. Five Normative Workshop

199 Changjian Road, Baoshan

Shanghai, PRC 200949

Telephone +86 2151 691799 Fax

+86 2133 850032

www.waldmann.cn

info@waldmann.com.cn