

3. Important Safety Information.



This symbol points out important safety instructions, which if not followed could endanger the personal safety and/or property of yourself or others. Read and follow all instructions in this manual and any provided with the equipment on which this luminaire is used before attempting to operate the Halux examination light.

These symbols may appear on the luminaire:



Caution: Hot surface. This indicates the surface can become hot through normal use, and should not be touched without taking care.



Safety distance. This indicates the minimum distance the lamp may be from a surface that is combustible at temperature below 200°C.



Class II symbol. This indicates the luminaire is double-insulated, and does not require an external connection to ground.

4. Before you use the light...

- ⚠ • The **distance** between the light head and the object has to be **50cm (20") or more**.
- ⚠ • Keep away from flammable materials whilst using the lamp.
- ⚠ • Do not leave the light on without supervision.
- ⚠ • Do not touch the protective glass.
- ⚠ • Replace damaged glasses immediately.
- ⚠ • Only replace the halogen lamp (bulb) with one of the same Voltage (V), and Wattage (W), and preferable the same beam angle. As standard, we supply a 12V MRC-16.
 - Always use replacement lamps from reputable companies.
 - Always use MRC-16 lamps with an integral front cover glass.
- ⚠ • Do not crease the power cord around sharp edges. Do not crush or trap the power cord.
- ⚠ • Do not remove the plug from the power outlet by pulling on the power cord.
- ⚠ • Halogen lamps are delicate. Only open the light head when you need to change the lamp.
- ⚠ Always unplug the unit and allow it time to cool down before attempting to change the lamp.
 - **NEVER attempt to change the lamp without first insuring the unit is unplugged and cool.**
- ⚠ **The lamp gets very hot, and serious injury can occur by touching a hot lamp, or installing a new lamp into an energized unit. The heat from the lamp is both intense and immediate.**

5. Installation of the unit.

The lamp may or may not already be installed in the light head. If it is not, then follow the instructions for installing the lamp, in section 11.

The Halux luminaire has a common pin-mount. This allows the unit to fit to any of the Waldmann mounting units. You should have received the mounting unit of your choice - clamp, bracket, etc. Attach the mounting unit as desired, insert the pin-mount, in a smooth vertical motion, into the receptacle hole on the mounting unit. Insure the pin sits down fully.

Finally, run the power cable neatly to the nearest power outlet.

6. Adjustment of the unit.

For maximum flexibility, the light is supplied either with an articulated arm, a gooseneck, or a combination of both.

- The strength of the friction joints are adjustable using a lever, or knob, at each joint. During shipping the tension of the joint may have changed. This is normal. You can set the tension to your preference.
- The light head can be rotated 270° around its axis.

7. Operation.

The light is provided with either a rocker switch on the light head, or a cord switch. We recommend that the light is switched off when not required. When it is not to be used for longer periods of time, disconnect it from the power outlet.

8. Cleaning.

⚠ The light is not waterproof, and must not be immersed in water. The best way to clean it is with a damp cloth. Ethyl alcohol and Iso-Propyl alcohol should not be used. The protection glass can be cleaned with any proprietary glass cleaner. Never use abrasive products.

9. Malfunction and Repairs.

If the light fails to work, please check that it is plugged in to the power outlet, and the on/off switch is set correctly. If the light still doesn't work, then change the lamp, as described in section 11. In most cases lamp failure is the cause.

Should the light still not operate, then contact our Customer Service Department on 1-800-634-0007.

This luminaire is supported by a 10-year limited warranty. Should it be necessary to return the unit to us for service, please contact Customer Service for instructions. Do not return the unit without first obtaining an RGA number.

10. Precautions.

The light fully complies with IEC 598 and UL 2601-1. It is provided exclusively for the use described in these instructions. In addition, you may have to comply with other standards, regulations, etc., e.g. concerning preventive measures for the protection of health.

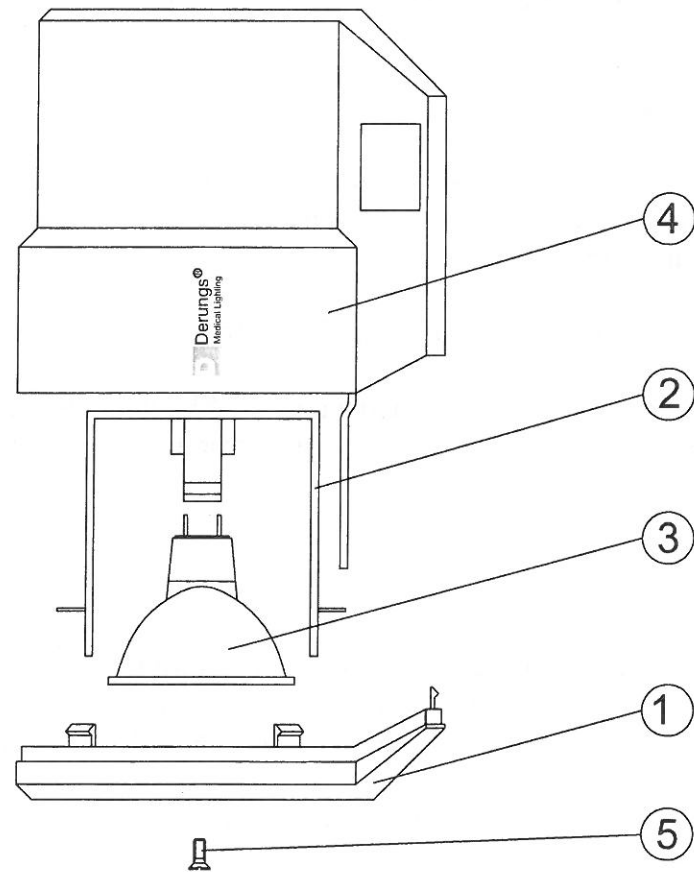
⚠ The user must not make any changes or modifications to this luminaire, except to change the lamp when necessary.

To prevent personal injury or material damage, please refer to paragraph (4) of these instructions.

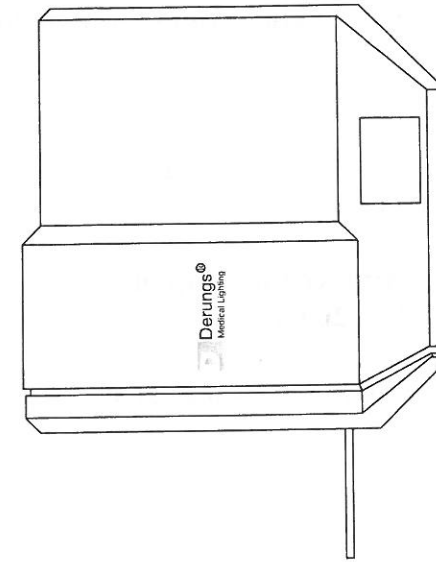
11. Lamp replacement.

⚠ WARNING: INSURE THE LAMP IS COOL BEFORE ATTEMPTING REPLACEMENT.

- Insure the unit has been disconnected from the power outlet, and the switch is off.
- Remove the front cover [1]:
 - Using a small Philips screwdriver, remove the two screws [5] from the face of the cover.
 - Grip the edges of the cover [1], and pull straight from the body [4].
 - Squeeze the two blades of the leaf-spring assembly [2] together until the tabs are released from the housing, and pull out of the body [4].
 - Hold the lamp [3] by the edge and pull it straight out of the lampholder. The lamp is held in by tension inside the lampholder, and with a secondary spring clip, so it should be quite tight.
 - Do not touch the lamp at anytime. Use soft cloth. Oil from skin may damage lamp. Hold the replacement lamp by the edges. Lower the lamp between the blades of the spring clip, and carefully insert the two pins into the two holes in the lampholder. Push the lamp down until it is seated correctly. The base should appear to be sitting squarely on the lampholder.
 - Squeeze the two blades of the leaf-spring assembly [2] together, and slide into the housing along the molded guides. When it is positioned correctly, releasing your grip will allow the tabs to fall back into their locations.
 - Replace the cover [1]. Pass the wire handle through the slot in the cover that is adjacent to the warning mark. Replace the screws.



D79-455-000
rev.1 03/24/09



Installation & Maintenance Instructions

Halux[®] Examination Light Single Lamp Models

1. General Instructions.

The label on the rear of the base arm/gooseneck provides important information that will be of benefit to you in the unlikely event that you need to contact Waldmann/Derungs Customer Service Department.



This is the model reference.

This is the part number.

We suggest you record the model reference and part number of your light, and keep it safe. They may be different from those shown in this sample. Keep these instructions for future reference.

2. Calling Customer Service.

If you are having difficulty assembling or using this product, or if you have any questions regarding the control, operation or maintenance of this unit, please call the Customer Service Department on 1-800-634-0007.

Please have your model reference and part number ready when you call.