



Instructions for Use



D^{med}® Amadea LED

Wall-Mounted Luminaire

Table of Contents

1. General Information.....	2
2. Safety.....	2
3. Abbreviations and Symbols.....	2
4. Fixing and Mounting.....	3
5. Installation.....	3 and 4
6. Wiring.....	5
7. Troubleshooting, Care, Maintenance and Repair.....	6
8. Cleaning and Disinfection.....	6
9. Technical Data.....	7
10. Disposal.....	7
11. Companies (back cover).....	8

1. General Information

1.1 Designated Use

1.1.1 Intended Purpose

The Luminaire is approved for room lighting according to UL 1598 and for use in medical areas under EN 60598-2-25. It is not intended to be used in surgical areas.

1.1.2 Location

For use in dry locations only, not subjected to the risk of explosions.

1.1.3 Use

The light is designed for continuous use and normal switching.

2. Safety

2.1.1 Intended for use as an International Class I fixture, and must be grounded to building ground.

2.1.2 No modifications can be carried out by the end user. Doing so will void warranty, ETL approval, and may cause severe risks.

2.1.3 Serviceable parts must be replaced with factory OEM parts.

2.1.4 The user must comply with all building safety codes and disinfection requirements

3. Abbreviations and Symbols



Attention, observe accompanying documents.



Device of international protection class I (grounding rules apply).



Symbol for separate disposal according to regulation 2002/96/EC (WEEE – Waste Electrical and Electronic Equipment).

(WEEE –



Safety mark for USA and Canada



The manufacturer cannot be held liable for damages caused if the light is used for other purposes than the intended purpose or if safety instruction and warnings are ignored.

4. Fixing and Mounting

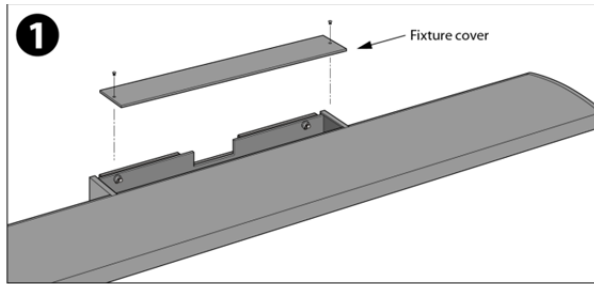


Only highly qualified technicians should perform installation and/or repair. Failure to do so can have serious consequences, including death.

Disconnect all live voltage prior to mounting and/or wiring.

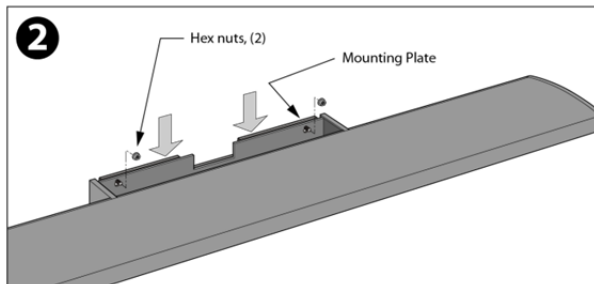
The mounting of the Amadea LED fixture can be performed by a single technician. The supply voltage must correspond to rating label on the fixture. The installation site must be prepared to handle the weight load of the fixture, or be such to accept appropriate mounting hardware.

5. Installation



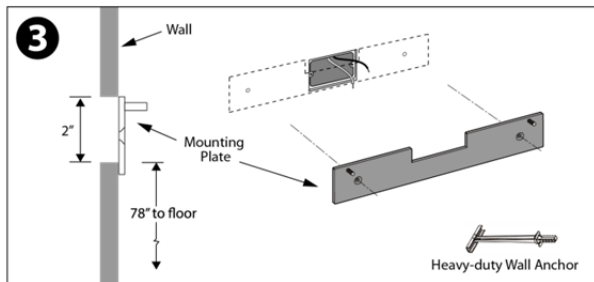
Remove the wireway cover from the fixture housing by unscrewing the screw at each end.

Set cover aside.



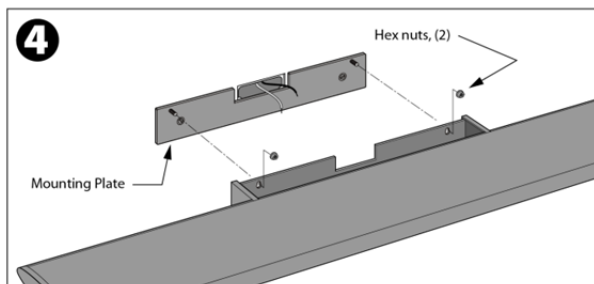
Detach the mounting plate by removing the two hex nuts. Push down on the mounting plate to remove from housing.

Set housing aside.



Attach the mounting plate to the wall using appropriate fasteners. If studs are present, the mounting plate can be mounted directly to the wall with self-tapping screws.

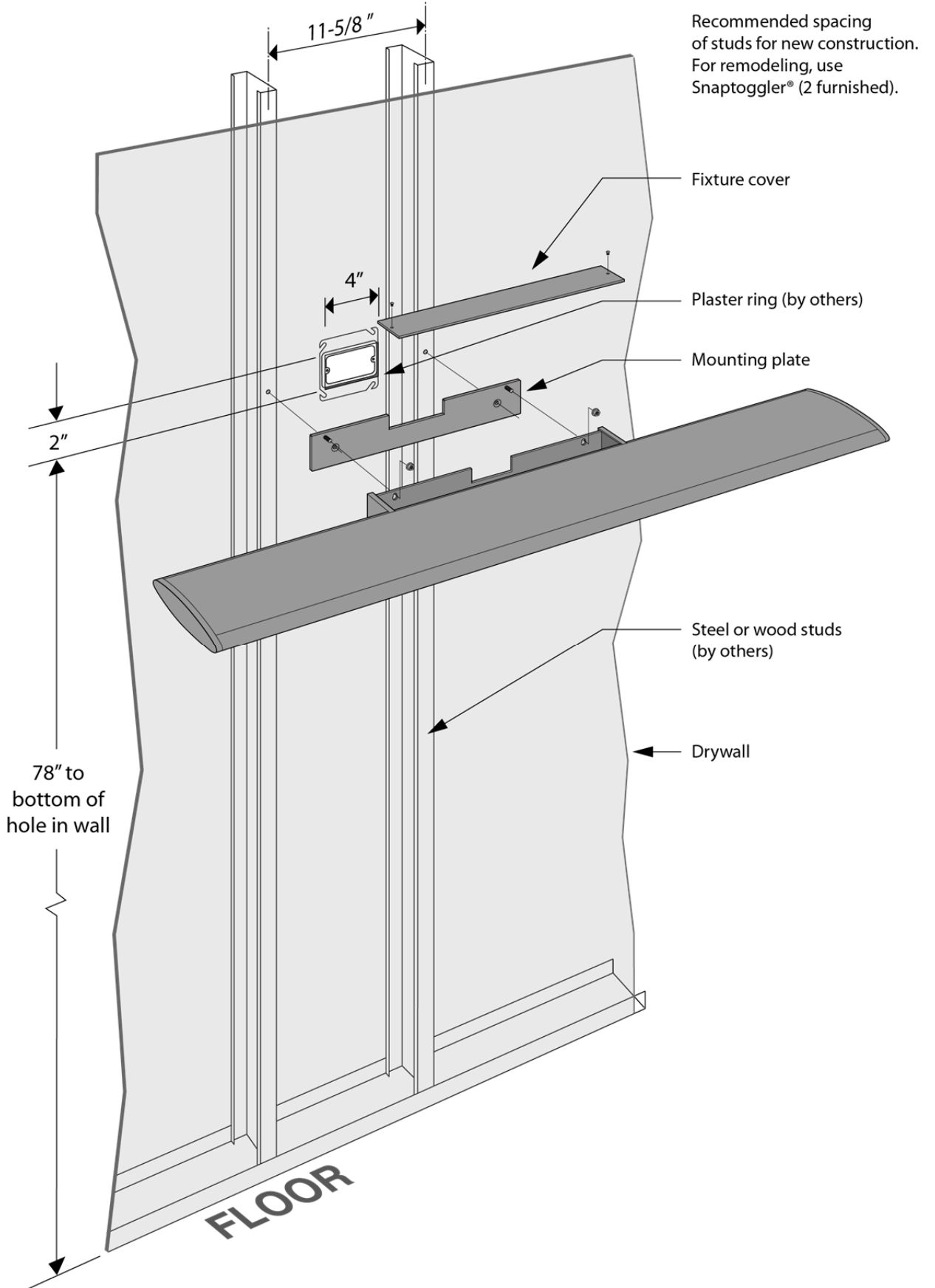
For hollow walls, use heavy-duty wall toggles (supplied) or other suitable wall anchors.



Hang the fixture onto the mounting plate and align so that hole in drywall does not show. Install the two hex nuts and tighten.

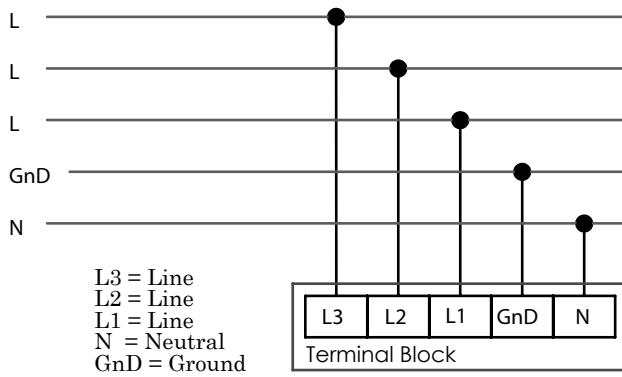
Reinstall fixture cover.

Installation (Continued)

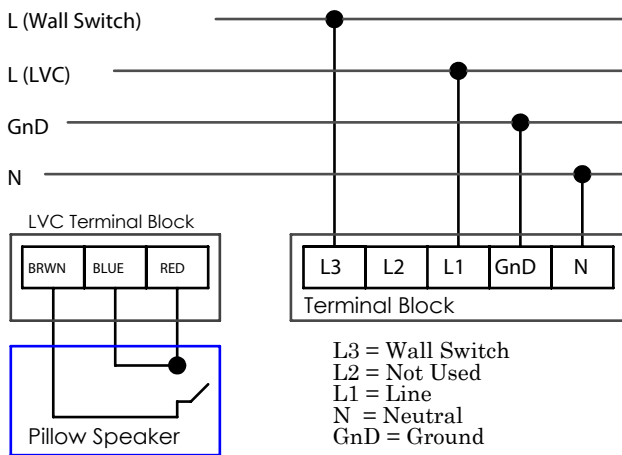


6. Wiring

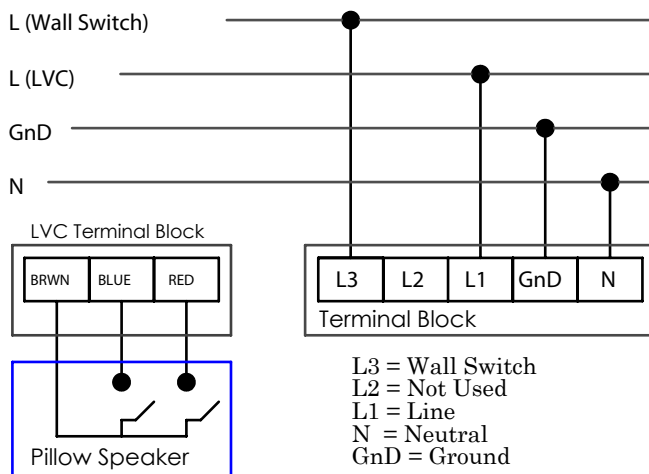
Line Voltage



Wall Switch and Single Button Pillow Speaker Switching



Wall Switch and Dual Button Pillow Speaker Switching



7. Troubleshooting, Care, Maintenance and Repair



Turn off all live voltage prior to any trouble shooting or maintenance work.

The Amadea LED is maintenance free, however, if a failure should occur, please see following.

There are no replaceable lamps. All light sources are LED strips and cannot be replaced in the field. Contact factory for replacement options.

If a power supply is defective and needs replacing, contact factory for OEM replacement. Power supplies are programmed for proper wattage and light levels. Using non-OEM supplied parts will alter technical specifications and can cause further damage.

To troubleshoot a failure to be performed by qualified technician only.

1. Check all remote switching for proper connections and operation.
2. Check that fixture is receiving necessary voltage.
3. Check for any loose connections in the fixture.
4. Consult factory for further help.

8. Cleaning and Disinfection

The Amadea LED is made from various materials and each area of the fixture should be considered individually when choosing a cleaner. The manufacturer cannot be held responsible for use of unsuitable cleaning agents.

1. When using a cleaner or disinfectant, observe all warnings and read instructions carefully.
2. Follow instructions carefully, and dilute accordingly.
3. Only select cleaners intended for use on the materials that they will be used on. If unsure, contact the manufacturer, use MSDS sheet, or contact Waldmann for additional help.
4. Do not use alcohol based products on plastic parts. Use only mild household cleaners when possible.
5. Wipe on cleaner or disinfectant with soft cloth only. **Do not spray cleaners on fixture directly.**
6. Do not soak fixture or use excess water, as it may cause damage to electrical parts.

9. Technical Data

Electrical :

Input Voltage	120-277V
Operating Frequency	50/60 Hz
Approximate Power Consumption	
Amadea LED 34/34	70W
Amadea LED 34/34/17	90W
Amadea LED 30/30	60W
Amadea 30/30/17	80W

Fitted with :

Lamping	LED strips
Power Supplies	LED drivers
Options	Low Voltage Controller

Classification :

Ingress Protection	IP 20
EMC	FCC 47 CFR Part 18
Safety	UL1598
	CSA C22.2#250.0



Ambient conditions for transport, storage and operation :

Ambient temperature for transport	-20°C to 70°C (-4°F to 158°F)
Ambient temperature for storage	-20°C to 70°C (-4°F to 158°F)
Ambient temperature for operation	0°C to 30°C (32°F to 86°F)
Relative humidity	max 90%

10. Disposal



The Amadea has a unique design that can be repaired or upgraded to the latest LED technology easily. Contact the factory for assistance on refurbishing or rebuilding the fixture. However, if disposing or replacing, the Amadea LED is almost fully recyclable, and should not be disposed of in landfills. All disposal must be in accordance with local laws and regulations.

USA

Waldmann Lighting Company
9, W. Century Drive
Wheeling, Illinois 60090
USA
Telephone +1 847 520 1060
Fax +1 847 520 1730
www.waldmannlighting.com
waldmann@waldmannlighting.com

WORLD HEADQUARTERS GERMANY

Herbert Waldmann GmbH & Co. KG
P.O. Box 5062
78057 Villingen-Schwenningen
Germany
Telephone +49 7720 601 100
Fax +49 7720 601 290
www.waldmann.com
info@waldmann.com

SWITZERLAND

Derungs Licht AG
Hofmattstrasse 12
9200 Gossau
Schweiz
Telephone +41 71 388 11 66
Fax +41 71 388 11 77
www.derungslicht.com
mailbox@derungslicht.com

**SWITZERLAND**

Waldmann Lichttechnik GmbH
Benkenstrasse 57
5024 Küttigen
Switzerland
Telephone +41 62 839 12 12
Fax +41 62 839 12 99
www.waldmann.com
info-ch@waldmann.com

FRANCE

Waldmann Eclairage S.A.S
Z.I. - Rue de l'Embranchement
67116 Reichstett
France
Telephone +33 3 8820 9588
Fax +33 3 88 20 95 68
www.waldmann.com
info-fr@waldmann.com

AUSTRIA

Waldmann Lichttechnik Ges.m.b.H
Gewerbepark Wagram 7
4061 Pasching/Linz
Austria
Telephone +43 7229 67 400
Fax +43 7229 67 444
www.waldmann.com
info-at@waldmann.com

ITALY

Waldmann Illuminotecnica s.r.l.
Via della Pace, 18 A
20098 S. Giuliano (MI)
Italy
Telephone +39 02 9824 9024
Fax +39 02 9824 6378
www.waldmann.com
info-it@waldmann.com

NETHERLANDS

Waldmann BV
Lingewei 19/4004 LK Tiel
Postbus 45/4000 AA Tiel
Netherlands
Telephone +31 344 631 019
Fax +31 344 627 856
www.waldmann.com
info-nl@waldmann.com

SWEDEN

Waldmann Ljusteknik
Skebokvarnsvägen 370
124 50 Bandhagen
Sweden
Telephone +46 8 990 350
Fax +46 8 991 609
www.waldmann.se
hk@waldmann.se

SINGAPORE

Waldmann Lighting Singapore Pte. Ltd.
Blk 168, Jalan Bukit Merah Tower 3,
04-09 B
SG-Singapore 150168
Telephone +65 6275 8300
Fax +65 6275 8377
www.waldmann.com
waldmann@singnet.com.sg

CHINA

Waldmann Lighting (Shanghai) Co. Ltd.
Part A, No. Five Normative Workshop
199 Changjian Road, Baoshan
Shanghai, PRC 200949
Telephone +86 2151 691799
Fax +86 2133 850032
www.waldmann.cn
info@waldmann.com.cn