



reddot design award

VIVAA LED FACILITY LIGHTING

BRINGING AESTHETICS AND LIGHT QUALITY TOGETHER SEAMLESSLY



Waldmann's new LED pendant light, ViVAA, is changing the way we look at lighting a room. The classic design and sleek simplicity reminds us that power can be elegant.

ViVAA is a proud winner of the esteemed Red Dot Award 2015, recognized internationally as the highest award for excellence in product design and design concept.

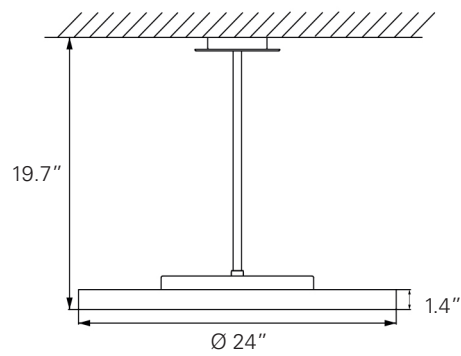
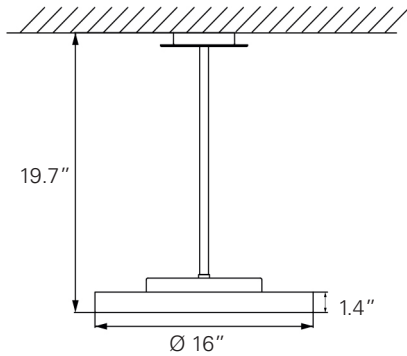
Premium LEDs combined with a light-enhancing microprism optic provide even, glare-free lighting while using a minimum amount of power. Corridors, entryways and other areas are bathed in warm, welcoming light. The high indirect light brightens walls and visually widens narrow rooms. It is also ideal for rooms with particularly low or sloped ceilings.

Environmentally friendly by design, ViVAA is virtually maintenance-free and very easy to maintain. High-quality components and design make this luminaire energy-efficient and durable as well as economical. Fewer fixtures are needed when you're lighting a room with ViVAA.

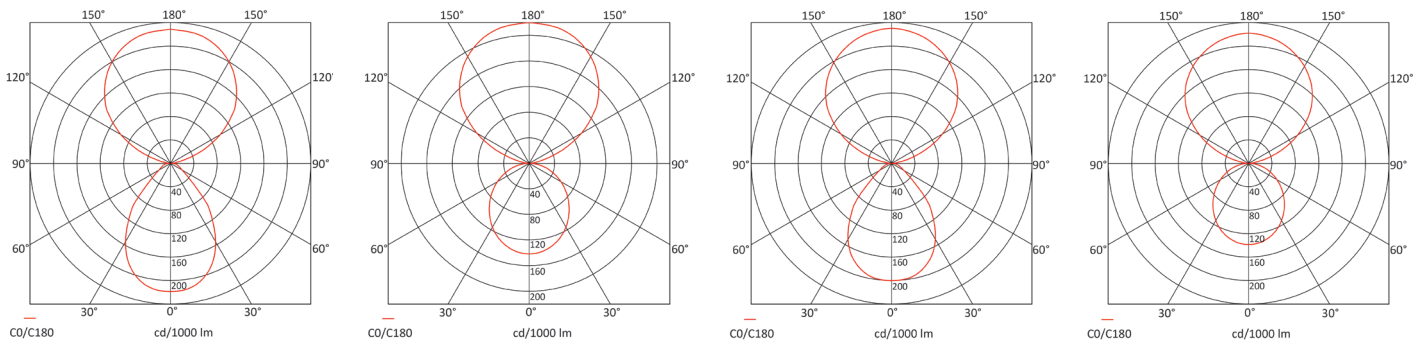


Available in two styles:
Ceiling (far left) or Pendant (left)

ViVAA TECHNICAL DATA



Sample of light distributions available



ViVAA features at a glance

- Stainless steel luminaire housing
- 50,000 maintenance-free hours of LED life
- High-quality components and materials
- Available as ceiling mount or pendant
- 16" or 24" diameter fixtures
- Suitable for any room height including sloped ceilings
- Easy to clean
- CDP microprism, satine diffuser
- 0-10V dimmable



High quality LED modules

Model	Diameter (inches)	Lumens	Power	Controls	Color Temperature	Type
ViVAA C400	16	5300	55W	on/off and 0-10V dimming standard	3000K/4000K	Ceiling or pendant
	16	7000	70W	on/off and 0-10V dimming standard	3000K/4000K	Ceiling or pendant
ViVAA C600	24	5300	55W	on/off and 0-10V dimming standard	3000K/4000K	Ceiling or pendant
	24	7000	70W	on/off and 0-10V dimming standard	3000K/4000K	Ceiling or pendant

Waldmann Lighting Company

9 W. Century Drive
 Wheeling, Illinois 60090
www.waldmannlighting.com

Telephone (847) 520 1060
 Fax (847) 520 1730
waldmann@waldmannlighting.com

Waldmann **W**

ENGINEERS OF LIGHT