

---

**VISIANO 20-2**  
VETERINARY EXAMINATION LIGHT



# THE NEW Dmed® VISIANO

## SHINES THROUGH WITH INNOVATION AND DESIGN

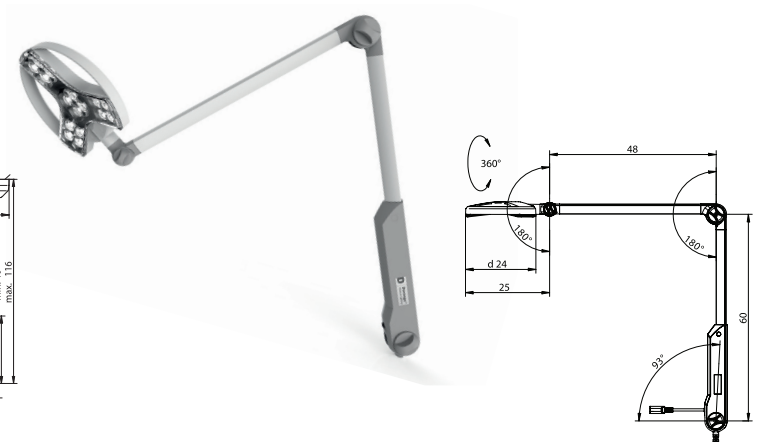
- **Highest lighting quality:** The unique light head design features diamond optic design that reduces shadows, high illuminance level (60,000 lx/0.5 m, as well as excellent color rendering (CRI>95)
- **Safety approval:** Meets IEC 60601 3<sup>rd</sup> edition technical standards for the safety and effectiveness of medical electrical equipment. ETL/cETL approved
- **Maximum reach and ergonomics:** 360° rotational axis at the luminaire head, long 50-inch arm reach
- **Dimming and color control:** Color temperatures can be switched from 3500K and 4500K and further personalized with four dimming levels
- **Easy cleaning:** Completely enclosed system for safe and easy cleaning with disinfectant spray (IP43)
- **High quality components:** Aluminum arm for strength and rigidity, friction joints for ease of motion
- **Integrated low voltage transformer:** For maximum electrical safety and energy efficiency
- **Long service life:** Low power consumption with 16 premium LEDs and integrated converter, maintenance-free housing



Ceiling mount version



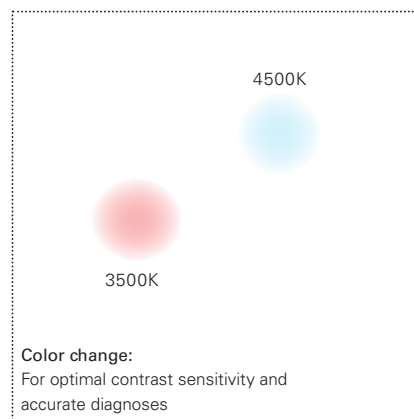
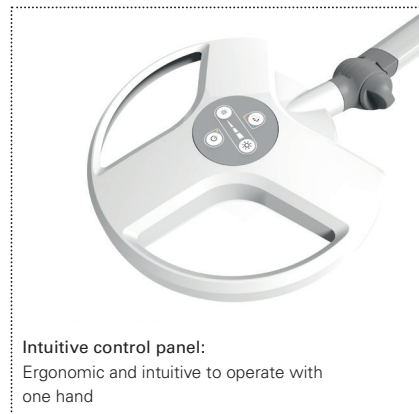
Pin-mount version



Ceiling pole max. 45 inches (can be cut to length)

## WANTED - FOUND

### THE PERFECT EXAMINATION LIGHT



## ORDERING INFORMATION

MODEL	MOUNTING INCLUDED	PART #
VISIANO 20-2 C T1	ceiling	D15 594 000
VISIANO 20-2 P TX	table clamp	D15 461 100
VISIANO 20-2 P TX	floor stand	D15 461 110
VISIANO 20-2 P TX	wall mount	D15 461 120
VISIANO 20-2 P TX	rail mount	D15 461 150

## ACCESSORIES

ITEM	DESCRIPTION	PART #
Extension Arm, 15" reach	white	D13 363 000
Table Clamp	black	D14 228 000
Rolling Floor Stand	gray/silver	D15 595 000
Wall Mount	white	D13 231 000
Rail Mount	silver	D13 269 000



**HEADQUARTERS GERMANY**

Herbert Waldmann GmbH & Co. KG  
Postfach 50 62  
78057 VILLINGEN-SCHWENNINGEN

**GERMANY**

Telephone +49 7720 601-0  
Telephone +49 7720 601-100 (Sales)  
Fax +49 7720 601-290  
www.waldmann.com  
sales.germany@waldmann.com

**FRANCE**

Waldmann Eclairage S.A.S.  
Zone Industrielle  
Rue de l'Embranchement  
67116 REICHESTETT  
FRANCE  
Telephone +33 3 88 20 95 88  
Fax +33 3 88 20 95 68  
www.waldmann.com  
info-fr@waldmann.com

**ITALY**

Waldmann Illuminotecnica S.r.l.  
Via della Pace, 18 A  
20098 SAN GIULIANO MILANESE (MI)  
ITALY  
Telephone +39 02 98 24 90 24  
Fax +39 02 98 24 63 78  
www.waldmann.com  
info-it@waldmann.com

**THE NETHERLANDS**

Waldmann B.V.  
Lingewei 19  
4004 LK TIEL  
THE NETHERLANDS  
Telephone +31 344 631019  
Fax +31 344 627856  
www.waldmann.com  
info-nl@waldmann.com

**AUSTRIA**

Waldmann Lichttechnik Ges.m.b.H.  
Gewerbepark Wagram 7  
4061 PASCHING/LINZ  
AUSTRIA  
Telephone +43 7229 67400  
Fax +43 7229 67444  
www.waldmann.com  
info-at@waldmann.com

**SWEDEN**

Waldmann Ljusteknik AB  
Skebokvarnsvägen 370  
124 50 BANDHAGEN  
SWEDEN  
Telephone +46 8 990 350  
Fax +46 8 991 609  
www.waldmann.com  
info-se@waldmann.com

**SWITZERLAND**

Waldmann Lichttechnik GmbH  
Benkenstrasse 57  
5024 KÜTTIGEN  
SWITZERLAND  
Telephone +41 62 839 1212  
Fax +41 62 839 1299  
www.waldmann.com  
info-ch@waldmann.com

**USA**

Waldmann Lighting Company  
9 W. Century Drive  
WHEELING, ILLINOIS 60090  
USA  
Telephone +1 847 520 1060  
Fax +1 847 520 1730  
www.waldmannlighting.com  
waldmann@waldmannlighting.com

**CHINA**

Waldmann Lighting (Shanghai) Co., Ltd.  
Part A11a, No. Five Normative Workshop  
199 Changjian Road, Baoshan  
SHANGHAI, P.R.C. 200949  
CHINA  
Telephone +86 21 5169 1799  
Fax +86 21 3385 0032  
www.waldmann.com  
info@waldmann.com.cn

**SINGAPORE**

Waldmann Lighting Singapore Pte. Ltd.  
22 Cross Street, #02-50/51  
South Bridge Court  
SINGAPORE 048421  
SINGAPORE  
Telephone +65 6275 8300  
Fax +65 6275 8377  
www.waldmann.com  
sales-sg@waldmann.com