
VISIANO 20-2
VETERINARY EXAMINATION LIGHT



THE NEW Dmed® VISIANO

SHINES THROUGH WITH INNOVATION AND DESIGN

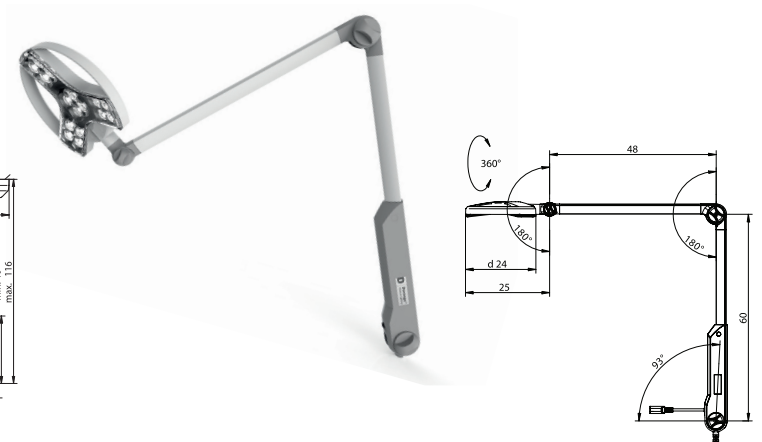
- **Highest lighting quality:** The unique light head design features diamond optic design that reduces shadows, high illuminance level (60,000 lx/0.5 m, as well as excellent color rendering (CRI>95)
- **Safety approval:** Meets IEC 60601 3rd edition technical standards for the safety and effectiveness of medical electrical equipment. ETL/cETL approved
- **Maximum reach and ergonomics:** 360° rotational axis at the luminaire head, long 50-inch arm reach
- **Dimming and color control:** Color temperatures can be switched from 3500K and 4500K and further personalized with four dimming levels
- **Easy cleaning:** Completely enclosed system for safe and easy cleaning with disinfectant spray (IP43)
- **High quality components:** Aluminum arm for strength and rigidity, friction joints for ease of motion
- **Integrated low voltage transformer:** For maximum electrical safety and energy efficiency
- **Long service life:** Low power consumption with 16 premium LEDs and integrated converter, maintenance-free housing



Ceiling mount version



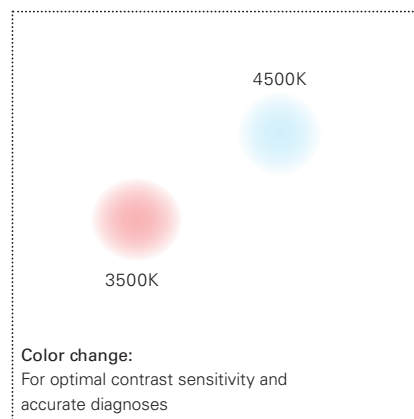
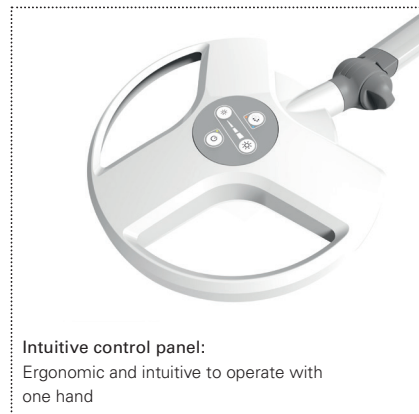
Pin-mount version



Ceiling pole max. 45 inches (can be cut to length)

WANTED - FOUND

THE PERFECT EXAMINATION LIGHT



ORDERING INFORMATION

MODEL	MOUNTING INCLUDED	PART #
VISIANO 20-2 C T1	ceiling	D15 594 000
VISIANO 20-2 P TX	table clamp	D15 461 100
VISIANO 20-2 P TX	floor stand	D15 461 110
VISIANO 20-2 P TX	wall mount	D15 461 120
VISIANO 20-2 P TX	rail mount	D15 461 150

ACCESSORIES

ITEM	DESCRIPTION	PART #
Extension Arm, 15" reach	white	D13 363 000
Table Clamp	black	D14 228 000
Rolling Floor Stand	gray/silver	D15 595 000
Wall Mount	white	D13 231 000
Rail Mount	silver	D13 269 000



HEADQUARTERS GERMANY

Herbert Waldmann GmbH & Co. KG
Postfach 50 62
78057 VILLINGEN-SCHWENNINGEN

GERMANY

Telephone +49 7720 601-0
Telephone +49 7720 601-100 (Sales)
Fax +49 7720 601-290
www.waldmann.com
sales.germany@waldmann.com

FRANCE

Waldmann Eclairage S.A.S.
Zone Industrielle
Rue de l'Embranchement
67116 REICHESTETT
FRANCE
Telephone +33 3 88 20 95 88
Fax +33 3 88 20 95 68
www.waldmann.com
info-fr@waldmann.com

ITALY

Waldmann Illuminotecnica S.r.l.
Via della Pace, 18 A
20098 SAN GIULIANO MILANESE (MI)
ITALY
Telephone +39 02 98 24 90 24
Fax +39 02 98 24 63 78
www.waldmann.com
info-it@waldmann.com

THE NETHERLANDS

Waldmann B.V.
Lingewei 19
4004 LK TIEL
THE NETHERLANDS
Telephone +31 344 631019
Fax +31 344 627856
www.waldmann.com
info-nl@waldmann.com

AUSTRIA

Waldmann Lichttechnik Ges.m.b.H.
Gewerbepark Wagram 7
4061 PASCHING/LINZ
AUSTRIA
Telephone +43 7229 67400
Fax +43 7229 67444
www.waldmann.com
info-at@waldmann.com

SWEDEN

Waldmann Ljusteknik AB
Skebokvarnsvägen 370
124 50 BANDHAGEN
SWEDEN
Telephone +46 8 990 350
Fax +46 8 991 609
www.waldmann.com
info-se@waldmann.com

SWITZERLAND

Waldmann Lichttechnik GmbH
Benkenstrasse 57
5024 KÜTTIGEN
SWITZERLAND
Telephone +41 62 839 1212
Fax +41 62 839 1299
www.waldmann.com
info-ch@waldmann.com

USA

Waldmann Lighting Company
9 W. Century Drive
WHEELING, ILLINOIS 60090
USA
Telephone +1 847 520 1060
Fax +1 847 520 1730
www.waldmannlighting.com
waldmann@waldmannlighting.com

CHINA

Waldmann Lighting (Shanghai) Co., Ltd.
Part A11a, No. Five Normative Workshop
199 Changjian Road, Baoshan
SHANGHAI, P.R.C. 200949
CHINA
Telephone +86 21 5169 1799
Fax +86 21 3385 0032
www.waldmann.com
info@waldmann.com.cn

SINGAPORE

Waldmann Lighting Singapore Pte. Ltd.
22 Cross Street, #02-50/51
South Bridge Court
SINGAPORE 048421
SINGAPORE
Telephone +65 6275 8300
Fax +65 6275 8377
www.waldmann.com
sales-sg@waldmann.com