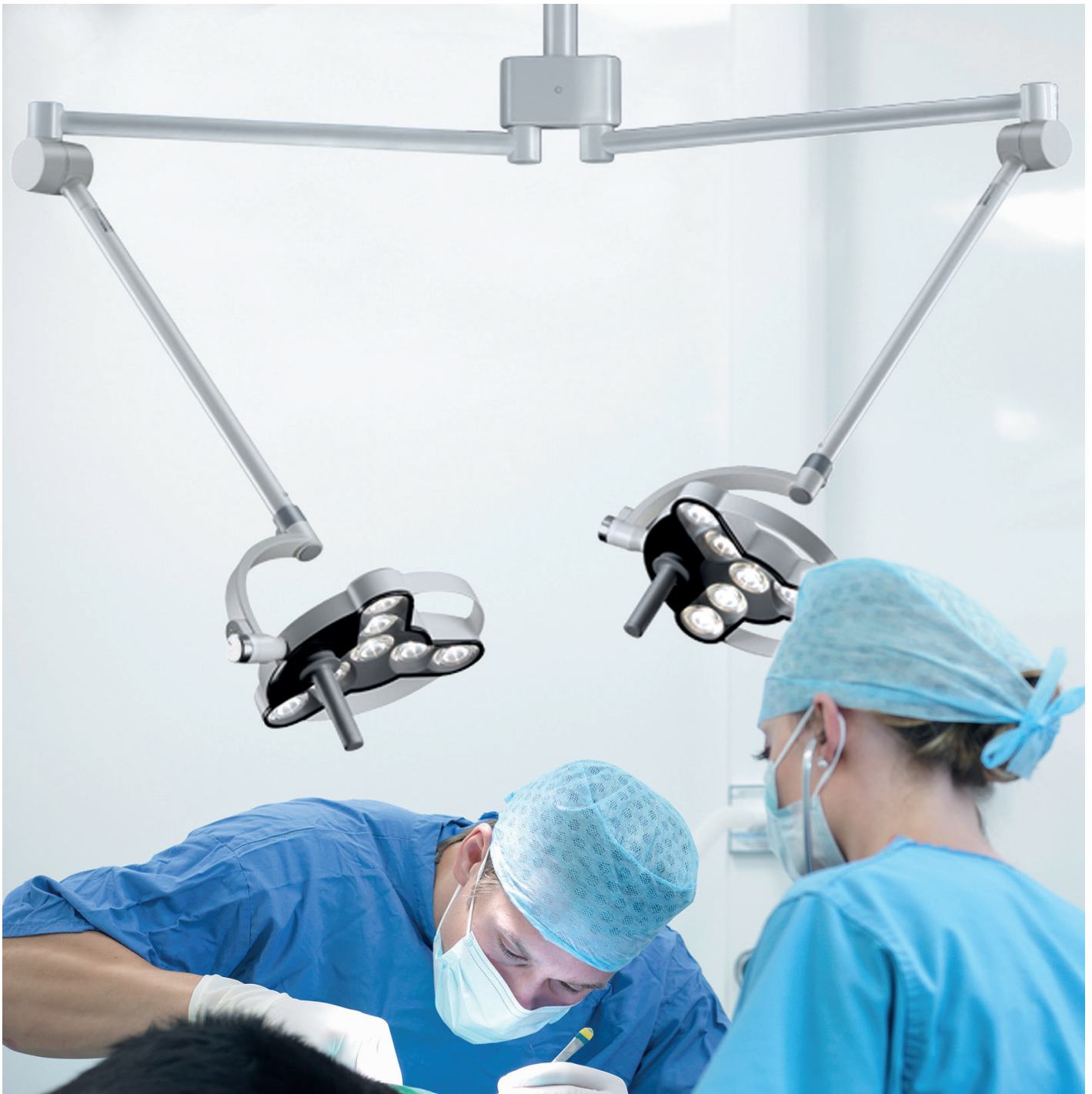

TRIANGO 30
VETERINARY SURGERY LIGHT



PRODUCT INFORMATION

TRIANGO 30**TRIANGO 30**

LED technology has revolutionized the art of equipment design for the medical sector.

TRIANGO brings this innovative technology to the procedure & exam area. With its advanced thermal management system, integrated dimming controls, brilliant light output, and compact housing, TRIANGO meets the stringent requirements of both hospital designers and practitioners.



**Uniform illumination
for work area**

High intensity light
60,000 lux/ 1 meter

Glare-free
To combat eye fatigue

Unparalleled color rendering
Color Rendering Index (CRI) > 95

Easy to clean
The removable handle can be sterilized
and the closed construction of the
fixture allows for easy cleaning



Ergonomically-friendly
For ease of use

Precise arm adjustment
Swiss engineering
and LED technology

Greater than 50% energy-saving
Thanks to efficient LEDs & innovative optics

Convenient dimming
Continuously dimmable from
100% – 0%

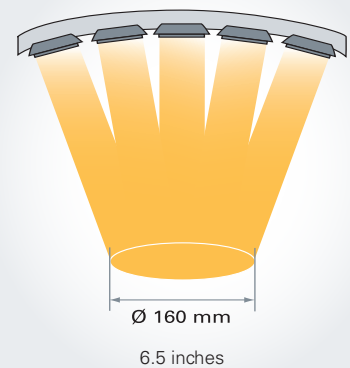
No radiation of heat

Maintenance-free
Long LED life adds convenience
and saves on down-time



EVEN ILLUMINATION OF THE AREA

The unique optic developed by Derungs ensures an optimum light field. The illuminated area meets the highest technical lighting requirements for veterinary surgical lights. The reflection-, shadow- and glare-free lighting generates an ideal field of vision specific to this type of close work.



PRODUCT ADVANTAGES

TRIANGO 30



MOBILITY AND FUNCTION

LED technology gives high performance lighting for procedure areas. TRIANGO's intricate design and robust materials also allow for a broad range of movement and easy positioning of the fixture.

AVAILABLE IN MULTIPLE VERSIONS

Ceiling Mount:
The ceiling mount can be a space saver, especially in rooms where maximum freedom of movement is required. Ceiling mount models are available in single- and double-head versions

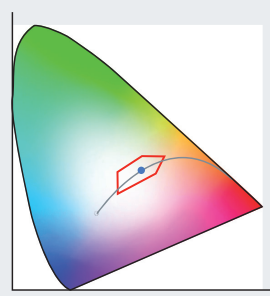
Floor Stand:
Taking the TRIANGO mobile with the rolling floor stand offers flexibility for various areas of the room or even sharing among several rooms.



Wall Mount:
The option of a wall mounted version is also available - please consult factory.



COLOR RENDERING

TRIANGO offers the optimum in color rendering with $Ra > 95$ and $R9 > 90$. This allows for clear recognition of any variations or irregularities in tissue while performing procedures.



-  Black Body Curve
-  EN 60601-2-41
-  optimal light color temperature



MAINTENANCE-FREE

LED technology allows for long periods of maintenance-free usage. No service for bulb replacement necessary for the life of the fixture.

- Long lamp life of 40,000 hours

CLEANING AND STERILIZATION

Its closed construction and smooth surface allows for quick, thorough cleaning. In addition, any penetration of dust, dirt or liquids is prevented. The removable handle is easy to sterilize.

- Removable and sterilizable handle
- Closed construction protects mechanics



HIGH-QUALITY COMPONENTS

High-quality components guarantee a strong, user-friendly luminaire. Derungs uses only top of the line materials to garner maximum benefits from its product.

Luminaire body:
Polycarbonate & acrylonitrile-butadiene-styrene copolymer (PC & ABS)

Lens Cover:
Polymethyl methacrylate (PMMA)
An ABR-GL protective coating makes the lens cover scratch proof.

IMPROVED ENERGY EFFICIENCY

Notable energy savings is gained thanks to the most up-to-date LED technology: high illumination using only 30 watts of power.

If lower light levels are necessary, power consumption will be even less.



ILLUMINATION / LIGHT INTENSITY REGULATION

Easy operation: continuously dimmable, providing the quick, convenient control necessary when many different procedures are being done during the course of the day.

GLARE-FREE

The light beam is focused and glare-free whatever the angle of sight. This avoids bothersome reflections on the surface.

- Dimmable from 100% – 0%
- 60,000 lux/39.5in (1m)
- Illuminated area 6.5in (160mm)
- CRI > 95
- Glare-, shadow- and reflection-free



NO RADIATION OF HEAT

An ideal working environment for a physician during a procedure includes clear, glare-free light with almost no infrared or UV radiation. Not only does this add to the comfort of the veterinarian, but also prevents tissue from drying out or being affected by the heat, a genuine concern to the provider.

GOOD WORKING CONDITIONS

Out of necessity, any surgery light is often positioned in close proximity to patient and staff. Optics are used to create an environment free of shadows, reflections and glare.

Modern LEDs and innovative design and technology make TRIANGO one of the most effective tools used in this arena.

ORDERING INFORMATION

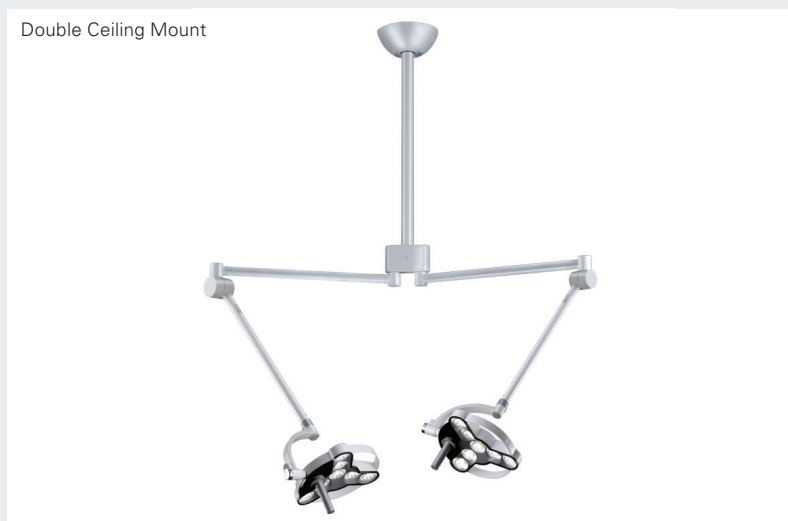
Ceiling and Wall Mount

Part No	Mounting Type	Ceiling Height
D15170091	Single Ceiling	8' – 8'6"
D15170101	Single Ceiling	9'
D15170111	Single Ceiling	9'6" – 10'
D15170121	Single Ceiling	10'6"
D15170131	Single Ceiling	11'
D15175101	Wall Mount	na



Double Ceiling Mount

Part No	Mounting Type	Ceiling Height
D15170591	Double Ceiling	8' – 8'6"
D15170501	Double Ceiling	9'
D15170511	Double Ceiling	9'6" – 10'
D15170521	Double Ceiling	10'6"
D15170531	Double Ceiling	11'



Floor Stand

Part No	Mounting Type
D15174101	Floor Stand



HEADQUARTERS GERMANY
Herbert Waldmann GmbH & Co. KG
Postfach 50 62
78057 VILLINGEN-SCHWENNINGEN

GERMANY
Telephone +49 7720 601-0
Telephone +49 7720 601-100 (Sales)
Fax +49 7720 601-290
www.waldmann.com
sales.germany@waldmann.com

FRANCE
Waldmann Eclairage S.A.S.
Zone Industrielle
Rue de l'Embranchement
67116 REICHESTETT
FRANCE
Telephone +33 3 88 20 95 88
Fax +33 3 88 20 95 68
www.waldmann.com
info-fr@waldmann.com

ITALY
Waldmann Illuminotecnica S.r.l.
Via della Pace, 18 A
20098 SAN GIULIANO MILANESE (MI)
ITALY
Telephone +39 02 98 24 90 24
Fax +39 02 98 24 63 78
www.waldmann.com
info-it@waldmann.com

THE NETHERLANDS
Waldmann B.V.
Lingewei 19
4004 LK TIEL
THE NETHERLANDS
Telephone +31 344 631019
Fax +31 344 627856
www.waldmann.com
info-nl@waldmann.com

AUSTRIA
Waldmann Lichttechnik Ges.m.b.H.
Gewerbepark Wagram 7
4061 PASCHING/LINZ
AUSTRIA
Telephone +43 7229 67400
Fax +43 7229 67444
www.waldmann.com
info-at@waldmann.com

SWEDEN
Waldmann Ljusteknik AB
Skebokvarnsvägen 370
124 50 BANDHAGEN
SWEDEN
Telephone +46 8 990 350
Fax +46 8 991 609
www.waldmann.com
info-se@waldmann.com

SWITZERLAND
Waldmann Lichttechnik GmbH
Benkenstrasse 57
5024 KÜTTIGEN
SWITZERLAND
Telephone +41 62 839 1212
Fax +41 62 839 1299
www.waldmann.com
info-ch@waldmann.com

SINGAPORE
Waldmann Lighting Singapore Pte. Ltd.
77A Neil Road
SINGAPORE 088903
Telephone +65 6275 8300
Fax +65 6275 8377
www.waldmann.com
E-Mail sales-sg@waldmann.com

Waldmann Lighting Company
9 W. Century Drive
WHEELING, ILLINOIS 60090
USA
Telephone +1 847 520 1060
Fax +1 847 520 1730
www.waldmannlighting.com
waldmann@waldmannlighting.com

CHINA
Waldmann Lighting (Shanghai) Co. Ltd.
199 Changjian Road, Baoshan
SHANGHAI, PRC 200949
Telephone +86 21 5169-1799
Fax +86 21 3385-0032
www.waldmann.com
E-Mail info-cn@waldmann.com