
OPTICLUX
VETERINARY LED MAGNIFIER LUMINAIRE



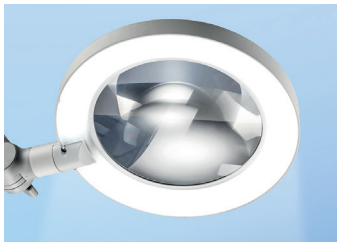
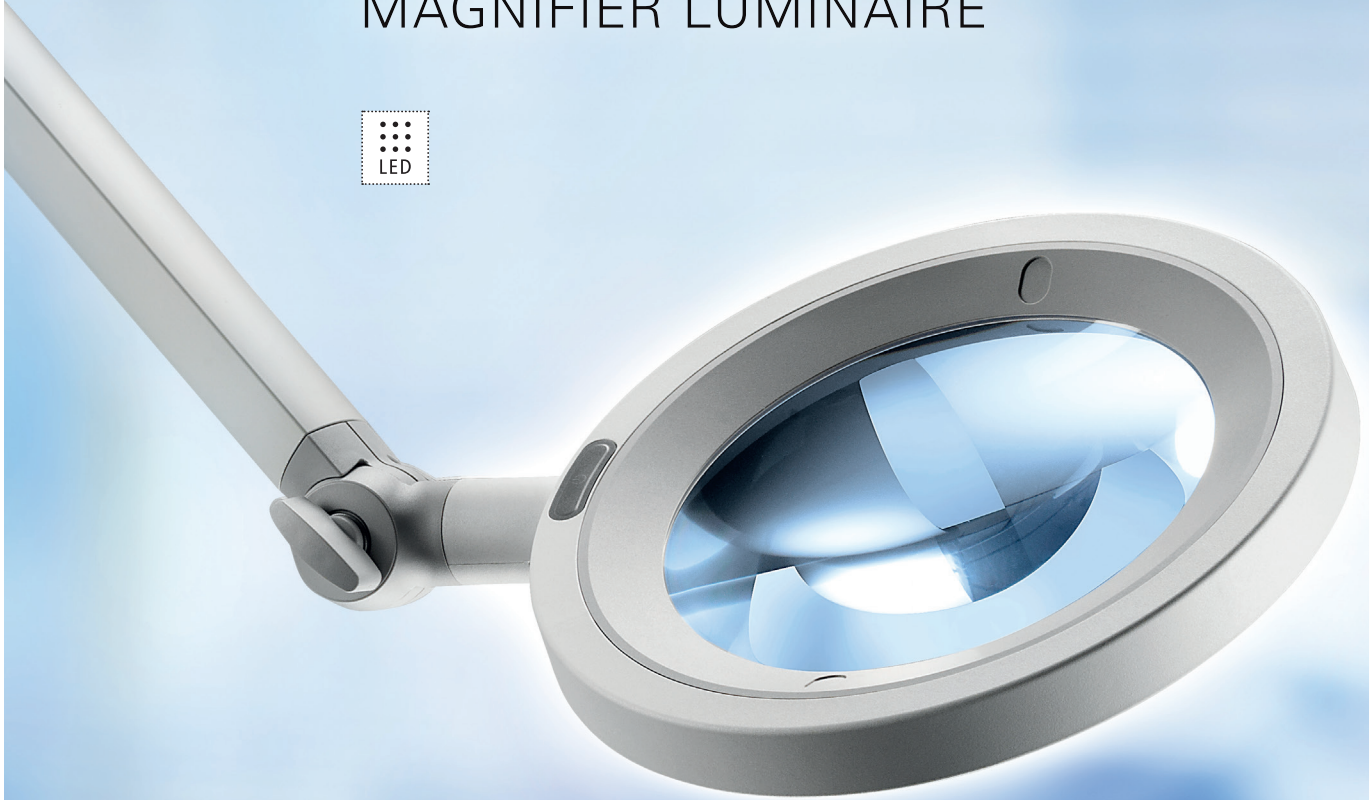
suitable for
Laboratories,
medical practices,
clinics, etc.

**APPROVED
MEDICAL DEVICE**

compliant with

EN 60601-1

OPTICLUX MAGNIFIER LUMINAIRE



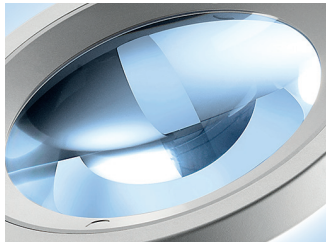
Peerless light field

Oversized 6.3" wide lens, 1.9x (3.5d) magnification and adjustable step-free dimming.



Ergonomic handling

Spring-balanced arm and friction joints allow smooth handling without the luminaire head drifting or drooping.



Long service life

Premium high-powered LEDs, scratch-resistant special-coated lens and precision components ensure strength and durability.



Flexible positioning

Long easily maneuverable joints and ergonomically-tested arm for ease of use and reliable precision.

WOOD LIGHT



What is a Wood light and why is it important?

A Wood light examination is a test that uses ultraviolet (UV) light to look at the skin closely. The test is usually done in a dark room. The dermatologist will turn on the Wood light and hold it 4 to 5 inches from the skin to look for color changes.

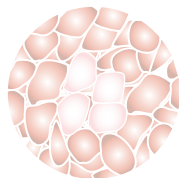
OPTICLUX and Wood light.

The special model option for dermatologists, veterinarians and forensic medicine combines two lighting modes in one device: daylight white illumination and Wood light. With the flip of a switch, the practitioner is able to use the right tool for whatever task needs to be done. A variety of examination types can be performed with just one light. Other Wood luminaires require the room to be completely darkened. Thanks to powerful BLB LEDs, the Opticlux does not require this.

For radiation of certain dermatomycoses to obtain diagnostic indications based on the fluorescence that occurs:

- ERYTHRASMA (red fluorescence)
- MICROSPORIA (weak green fluorescence)
- FAVUS (bilious green fluorescence)
- TRICHOBACTERIOSIS AXILLARIS (yellow ochre colored fluorescence)
- PITYRIASIS VERSICOLOR (yellow ochre colored fluorescence)
- TUBEROUS SCHLEROSIS (blue-white fluorescence versus normal skin)
- VITILIGO (blue-white fluorescence of depigmented areas)
- SCABIES (gray-white mite tracks)

Also for fluorescence diagnostics (FD) for in-vivo diagnostics of dysplastic tissues and surface tumors in connection with local or systemically applied pigment, such as PPIX or 5-ALA.

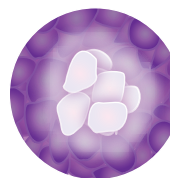


**LED light
& dimming**

Skin under daylight-simulating LED light

Reliable color rendering

Premium 6500 K LEDs ensure less shadow formation and optimal color rendering (CRI / Ra > 93, R9 > 90, R13 > 95)



**Wood light
(365 nm)**

Accurate diagnosis: Skin variations appear more distinctive under the Wood light, a must in dermatology as well as many other fields of medicine.

Special for dermatology *

Two lighting modes in one device: optional Wood light for examining lesions and pigment changes

OPTICLUX FOR THE PRACTICE AND IN THE LAB.



WOOD
LIGHT

Effortless observation

90 high-quality LEDs, low-shadow illumination; adjustable step-free dimming and a 1.9x (3.5d) wide-angle lens ensures clear, even viewing.

Precise positioning

Light arm made of aluminum and fiberglass-reinforced friction joints ensure long life and highly accurate positioning despite low weight.

More economical, reliable use

High-efficiency LED light technology saves energy and ensures long-term maintenance-free operation.

Simple, versatile mounting options

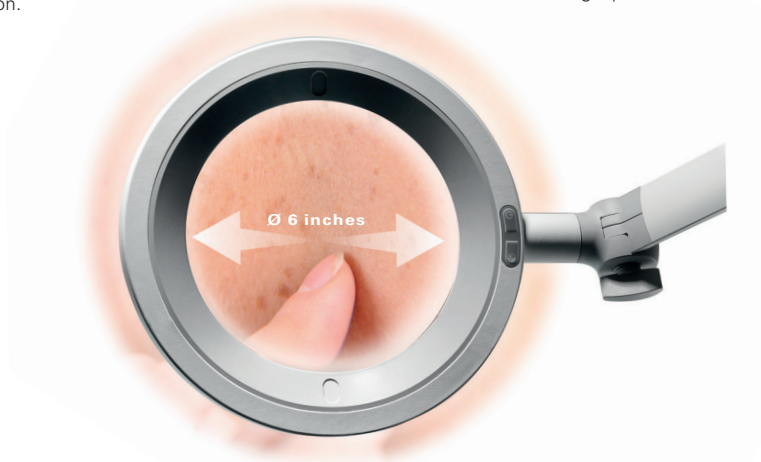
The only magnifier luminaire in its segment that is available as a ceiling version as well as the 16mm pin-mount version for mounting on wall, table, rail and rolling floor stand.

Easy cleaning

Lens cover, keypad and premium housing for fast cleaning.

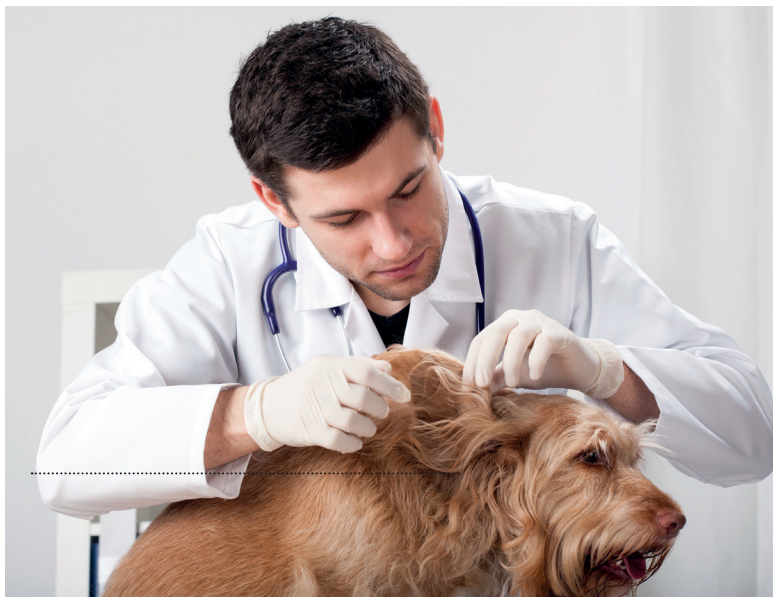
Optimal color rendering

Especially skin and red tones are reproduced close to optimal daylight; color rendering Opticlux CRI / Ra > 93, R9 > 90, R13 > 95.



ONE MAGNIFIER LUMINAIRE. MANY APPLICATIONS.

With its unique light quality and sophisticated design, OPTICLUX is ideal for use in various fields of veterinary medicine.



Veterinarians

Free hand:

- Flexible mounting options: ceiling, wall, rail, or rolling floor stand
- Large light field
- Optimal magnification for examination and treatment of various animals

The Wood light version is recommended for optimal diagnosis of skin diseases.



Veterinary hospitals, outpatient clinics and practices

Other uses:

- Ideal magnification for inspecting sterilized goods
- Approved medical device for examinations
- Minor treatments
- Outstanding light quality
- Color rendering properties



Dental technicians

Outstanding lighting properties:

- Step-free dimming
- 1.9x (3.5d) magnification
- Excellent color reproduction CRI /Ra > 93 for the best results and fatigue-free work



Laboratories

Details at a glance:

- True daylight-white LED light with 1.9x (3.5d) magnification
- Smooth, even light field
- Precise, stable positioning with no risk of the luminaire sinking



Quality control

Detect subtleties:

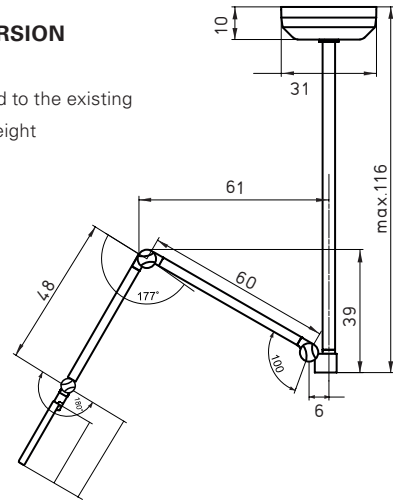
- Very bright, dimmable light with optimal color rendering
- Large magnifier diameter
- Distortion-free magnification supports systematic quality control



Ceiling mount

CEILING VERSION

Can be adapted to the existing room ceiling height



PIN-MOUNT VERSION



Rail mount

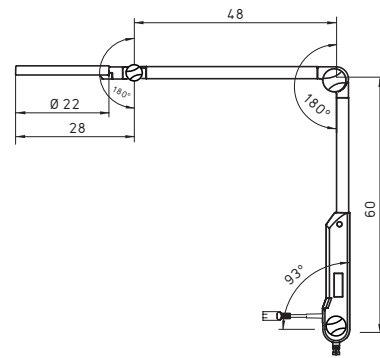


Table clamp mount



Wall mount



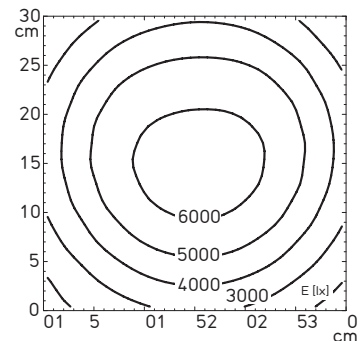
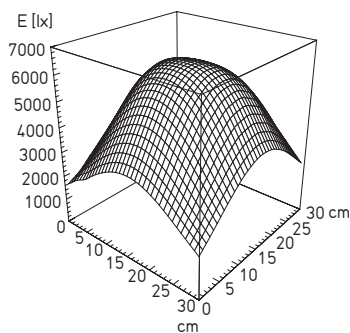
Rolling floor stand

OPTICLUX at a glance

- Color temperature daylight white 6500 K *
- Magnification 1.9x (3.5 diopters)
- 6.3" specially-treated hard acrylic magnifier lens with protective lens cover
- Color rendering properties *: CRI > 93, R9 > 90, R13 > 95
- Light field: 6000 lux / 0.15 m *
- Continuously dimmable 100% of 10%
- Several mounting options available
- Complies to EN-60601-1 standards
- Optional Wood light: Peak at 365 nm

Illumination intensity

* -10% / +20% tolerance



ORDERING INFORMATION

Model	Mounting Type	Special Features	Part No
OPTICLUX 10-1 CT1	Ceiling		D15817000
OPTICLUX 10-2 CT1	Ceiling	Wood light	D15816000
OPTICLUX 10-1 PTX	Pin mount		D15954000
OPTICLUX 10-2 PTX	Pin mount	Wood light	D15953000

ACCESSORIES

Table Clamp

Material Steel/polyresin
Span 0–2.75"
Weight 1 lb
Color Black
Part # **D14228000**



Rolling Floor Stand

Material Steel/plastic
Color Gray
Dimensions 39" height X Ø 28"
Weight 16.5 lbs
Part # **D15595000**



Wall Mount

Material Polyamide
Weight .5 lb
Color White
Part # **D13231000**



Rail Clamp*

Material Anodized aluminum
Span 0–2.75"
Part # **D13269000**



ACCESSORIES

Universal Base Mount

Dimensions 2.4" x 2.4"
Color Black
Part # **204090019-00000599**



Mounting Rail

Length
1 meter Part # **D13505000**
1.5 meter Part # **D13506000**

Extension Arm

Material Powder coated tubular steel
Length 15.7"
Weight 1.4 lbs
Load Capacity 5.5 lbs
Color White
Part # **D13363000**



*Mounting rail sold separately

HEADQUARTERS GERMANY

Herbert Waldmann GmbH & Co. KG
 Peter-Henlein-Straße 5
 78056 VILLINGEN-SCHWENNINGEN
 GERMANY
 Telephone +49 7720 601 - 0
 Telephone +49 7720 601 - 100 (Sales)
 Fax +49 7720 601 - 290
 www.waldmann.com
 sales.germany@waldmann.com

FRANCE

Waldmann Eclairage S.A.S.
 Zone Industrielle
 Rue de l'Embranchement
 67116 REICHSTETT
 FRANCE
 Telephone +33 3 88 20 95 88
 Fax +33 3 88 20 95 68
 www.waldmann.com
 info-fr@waldmann.com

ITALY

Waldmann Illuminotecnica S.r.l.
 Via della Pace, 18 A
 20098 SAN GIULIANO MILANESE (MI)
 ITALY
 Telephone +39 02 98 24 90 24
 Fax +39 02 98 24 63 78
 www.waldmann.com
 info-it@waldmann.com

THE NETHERLANDS

Waldmann B.V.
 Lingewei 19
 4004 LK TIEL
 THE NETHERLANDS
 Telephone +31 344 631019
 Fax +31 344 627856
 www.waldmann.com
 info-nl@waldmann.com

AUSTRIA

Waldmann Lichttechnik Ges.m.b.H.
 Gewerbepark Wagram 7
 4061 PASCHING/LINZ
 AUSTRIA
 Telephone +43 7229 67400
 Fax +43 7229 67444
 www.waldmann.com
 info-at@waldmann.com

SCANDINAVIA

Waldmann Ljusteknik AB
 Skebokvarnsvägen 370
 124 50 BANDHAGEN
 SWEDEN
 Telephone +46 8 990 350
 Fax +46 8 991 609
 www.waldmann.com
 info-se@waldmann.com

SWITZERLAND

Waldmann Lichttechnik GmbH
 Benkenstrasse 57
 5024 KÜTTIGEN
 SWITZERLAND
 Telephone +41 62 839 1212
 Fax +41 62 839 1299
 www.waldmann.com
 info-ch@waldmann.com

UNITED KINGDOM

Waldmann Lighting Ltd.
 10 Millfield House
 Croxley Park
 WATFORD WD18 8YX
 UNITED KINGDOM
 Telephone +44 1923 800030
 Fax +44 1923 800016
 www.waldmann.com
 info-uk@waldmann.com

USA

Waldmann Lighting Company
 9 W. Century Drive
 WHEELING, ILLINOIS 60090
 USA
 Telephone +1 847 520 1060
 Fax +1 847 520 1730
 www.waldmannlighting.com
 waldmann@waldmannlighting.com

CHINA

Waldmann Lighting (Shanghai) Co., Ltd.
 Part A11a, No. Five Normative Workshop
 199 Changjian Road, Baoshan
 SHANGHAI, P.R.C. 200949
 CHINA
 Telephone +86 21 5169 1799
 Fax +86 21 3385 0032
 www.waldmann.com.cn
 info-cn@waldmann.com

SINGAPORE

Waldmann Lighting Singapore Pte. Ltd. 77A
 Neil Road
 SINGAPORE 088903
 SINGAPORE
 Telephone +65 6275 8300
 Fax +65 6275 8377
 www.waldmann.com
 sales-sg@waldmann.com

List of references

The images in this brochure originate from the following providers:

Titel : 123rf.com
 Page 5 : Depositfoto
 Page 6 : Shutterstock
 Page 8 : IStock, Alamy, Depositfoto
 Page 9 : AdobeStock, Alamy, Unsplash, Masterfile

Product and reference photos from Hauser & Partner Imaging GmbH.

All other photos and graphics originate from Derungs Licht AG and the Waldmann Group.

Center of Expertise for Care & Health:

Derungs Licht AG is a member of the
 Waldmann Group.

