

---

**TRIANGO 30**  
PROCEDURE LIGHT



# PRODUCT INFORMATION

## TRIANGO

### TRIANGO 30 C

LED technology has revolutionized the art of equipment design for the medical sector.

TRIANGO brings this innovative technology to the procedure & exam area. With its advanced thermal management system, integrated dimming controls, brilliant light output, and compact housing, TRIANGO meets the stringent requirements of both hospital designers and practitioners.





**Ergonomically-friendly**  
For ease of use

**Precise arm adjustment**  
Swiss engineering  
and LED technology

**Greater than 50% energy-saving**  
Thanks to efficient LEDs & innovative optics

**Convenient dimming**  
Continuously dimmable from  
100% – 10% using rotary knob

**No radiation of heat**

**Maintenance-free**  
Long LED life adds convenience  
and saves on down-time



# PRODUCT ADVANTAGES

## TRIANGO



### MOBILITY AND FUNCTION

LED technology gives high performance lighting for procedure areas. TRIANGO's intricate design and robust materials also allow for a broad range of movement and easy positioning of the fixture.

### AVAILABLE IN MULTIPLE VERSIONS

#### Ceiling Mount:

The ceiling mount can be a space saver, especially in rooms where maximum freedom of movement is required. Ceiling mount models are available in single- and double-head versions

#### Floor Stand:

Taking the TRIANGO mobile with the rolling floor stand offers flexibility for various areas of the room or even sharing among several rooms.

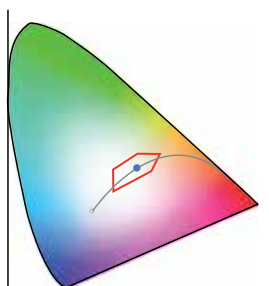
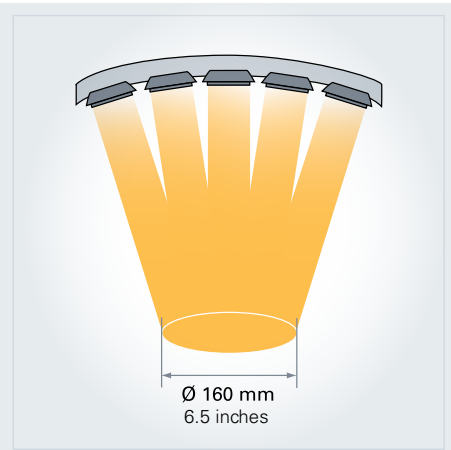
#### Wall Mount:




The option of a wall mounted version is also available - please consult factory.



### EVEN ILLUMINATION OF THE AREA

The unique optic developed by Derungs ensures an optimum light field. The illuminated area meets the highest technical lighting requirements for procedure lights. The reflection-, shadow- and glare-free lighting generates an ideal field of vision specific to this type of close work.

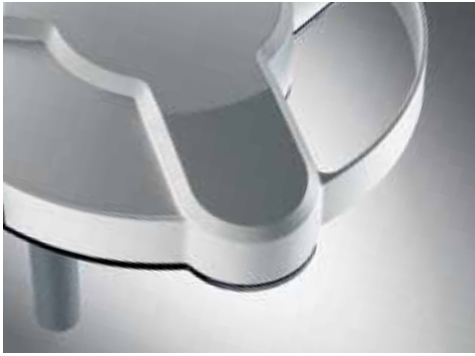


-  Black Body Curve
-  EN 60601-2-41
-  ● ● ● optimal light color temperature

### COLOR RENDERING

TRIANGO offers the optimum in color rendering with  $R_a > 95$  and  $R_9 > 90$ . This allows for clear recognition of any variations or irregularities in tissue while performing procedures.





#### MAINTENANCE-FREE

LED technology allows for long periods of maintenance-free usage. No service for bulb replacement necessary for the life of the fixture.

- Long lamp life of 40,000 hours

#### CLEANING AND STERILIZATION

Its closed construction and smooth surface allows for quick, thorough cleaning. In addition, any penetration of dust, dirt or liquids is prevented. The removable handle is easy to sterilize.

- Removable and sterilizable handle
- Closed construction protects mechanics



#### HIGH-QUALITY COMPONENTS

High-quality components guarantee a strong, user-friendly luminaire. Derungs uses only top of the line materials to garner maximum benefits from its product.

Luminaire body:

Polycarbonate & acrylonitrile-butadiene-styrene copolymer (PC & ABS)

Lens Cover:

Polymethyl methacrylate (PMMA)

An ABR-GL protective coating makes the lens cover scratch proof.

#### IMPROVED ENERGY EFFICIENCY

Notable energy savings is gained thanks to the most up-to-date LED technology: high illumination using only 30 watts of power.

If lower light levels are necessary, power consumption will be even less.



#### ILLUMINATION / LIGHT INTENSITY REGULATION

Easy operation: One control switches the light on/off and dims with five light levels, providing the practitioner with the quick, convenient control necessary when many different procedures are being done during the course of the day.

#### GLARE-FREE

The light beam is focused and glare-free whatever the angle of sight. This avoids bothersome reflections on the surface.

- Dimmable from 100% – 10%
- 60,000 lux/39.5in (1m)
- Illuminated area 6.5in (160mm)
- CRI > 95
- Glare-, shadow- and reflection-free



#### NO RADIATION OF HEAT

An ideal working environment for a physician during a procedure includes clear, glare-free light with almost no infrared or UV radiation. Not only does this add to the comfort of the physician, staff and patient, but also prevents tissue from drying out or being affected by the heat, a genuine concern to the provider.

#### GOOD WORKING CONDITIONS

Out of necessity, any procedure light is often positioned in close proximity to patient and staff. Optics are used to create an environment free of shadows, reflections and glare.

Modern LEDs and innovative design and technology make TRIANGO one of the most effective tools used in this arena.

# ORDERING INFORMATION

## Ceiling and Wall Mount

Part No	Mounting Type	Ceiling Height
D15170091	Single Ceiling	8' – 8'6"
D15170101	Single Ceiling	9'
D15170111	Single Ceiling	9'6" – 10'
D15170121	Single Ceiling	10'6"
D15170131	Single Ceiling	11'
D15175101	Wall Mount	na



## Double Ceiling Mount

Part No	Mounting Type	Ceiling Height
D15170591	Double Ceiling	8' – 8'6"
D15170501	Double Ceiling	9'
D15170511	Double Ceiling	9'6" – 10'
D15170521	Double Ceiling	10'6"
D15170531	Double Ceiling	11'



## Floor Stand

Part No	Mounting Type
D15174101	Floor Stand



**HEADQUARTERS GERMANY**  
Herbert Waldmann GmbH & Co. KG  
Postfach 50 62  
78057 VILLINGEN-SCHWENNINGEN

**GERMANY**  
Telephone +49 7720 601-0  
Telephone +49 7720 601-100 (Sales)  
Fax +49 7720 601-290  
www.waldmann.com  
sales.germany@waldmann.com

**FRANCE**  
Waldmann Eclairage S.A.S.  
Zone Industrielle  
Rue de l'Embranchement  
67116 REICHESTETT  
FRANCE  
Telephone +33 3 88 20 95 88  
Fax +33 3 88 20 95 68  
www.waldmann.com  
info-fr@waldmann.com

**ITALY**  
Waldmann Illuminotecnica S.r.l.  
Via della Pace, 18 A  
20098 SAN GIULIANO MILANESE (MI)  
ITALY  
Telephone +39 02 98 24 90 24  
Fax +39 02 98 24 63 78  
www.waldmann.com  
info-it@waldmann.com

**THE NETHERLANDS**  
Waldmann B.V.  
Lingewei 19  
4004 LK TIEL  
THE NETHERLANDS  
Telephone +31 344 631019  
Fax +31 344 627856  
www.waldmann.com  
info-nl@waldmann.com

**AUSTRIA**  
Waldmann Lichttechnik Ges.m.b.H.  
Gewerbepark Wagram 7  
4061 PASCHING/LINZ  
AUSTRIA  
Telephone +43 7229 67400  
Fax +43 7229 67444  
www.waldmann.com  
info-at@waldmann.com

**SWEDEN**  
Waldmann Ljusteknik AB  
Skebokvarnsvägen 370  
124 50 BANDHAGEN  
SWEDEN  
Telephone +46 8 990 350  
Fax +46 8 991 609  
www.waldmann.com  
info-se@waldmann.com

**SWITZERLAND**  
Waldmann Lichttechnik GmbH  
Benkenstrasse 57  
5024 KÜTTIGEN  
SWITZERLAND  
Telephone +41 62 839 1212  
Fax +41 62 839 1299  
www.waldmann.com  
info-ch@waldmann.com

**UNITED KINGDOM**  
Waldmann Lighting Ltd.  
10 Millfield House  
Croxley Green Business Park  
WATFORD WD18 8Y  
Telephone +44 1923 800030  
Fax +44 1923 800016  
www.waldmann.com  
E-Mail info-uk@waldmann.com

**USA**  
Waldmann Lighting Company  
9 W. Century Drive  
WHEELING, ILLINOIS 60090  
USA  
Telephone +1 847 520 1060  
Fax +1 847 520 1730  
www.waldmannlighting.com  
waldmann@waldmannlighting.com

**CHINA**  
Waldmann Lighting (Shanghai) Co. Ltd.  
199 Changjian Road, Baoshan  
SHANGHAI, PRC 200949  
Telephone +86 21 5169-1799  
Fax +86 21 3385-0032  
www.waldmann.com  
E-Mail info-cn@waldmann.com

**SINGAPORE**  
Waldmann Lighting Singapore Pte. Ltd.  
77A Neil Road  
SINGAPORE 088903  
Telephone +65 6275 8300  
Fax +65 6275 8377  
www.waldmann.com  
E-Mail sales-sg@waldmann.com

**INDIA**  
Waldmann Lighting Pvt. Ltd.  
Phase-VI, Sector-37  
GURGAON - 122001, HARYANA  
Telephone +91 124 412 1600  
Fax +91 124 412 1611  
www.waldmann.com  
E-Mail sales-in@waldmann.com