

TANEO

LED LUMINAIRE

FEATURES:

- Power consumption 14 W, 24 W or 34 W
- 4000 K or 5000 K color temperature available
- Glare-free, clear prismatic or satine acrylic lens
- 100% to 10% dimming capability
- Anodized aluminum housing
- Spring-balanced arm with 3D head joint
- Touch panel integrated in the luminaire head for on/off and dimming
- Wall power supply (14 W) or inline power supply (24 W and 34 W)
- 100–240 VAC, 50/60 Hz
- 11' cable with US plug included
- ETL/cETL approved

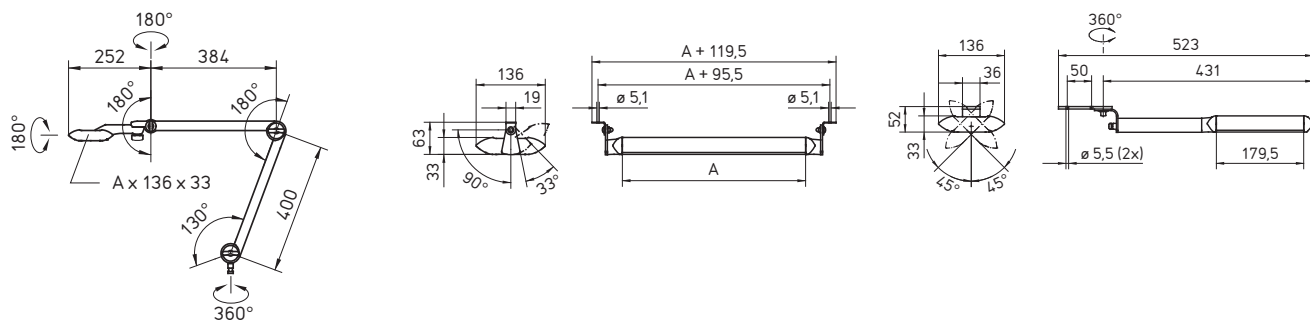
SPECIFICATIONS:

Voltage	100-240 VAC, 50/60 Hz
Lamping	LED
Controls	touch switch on head
Color Temperature	4000 K or 5000 K
Color Rendering Index (CRI)	80
Luminaire Head Material	anodized aluminum
Arm Material	aluminum
Lens Material	polycarbonate
Head Dimension	8.6", 15.7" or 22.7"
Arm Style	31" double arm
Power Consumption	14 W, 24 W or 34 W
Connection	11' cable w/ plug
Protection Rating	IP20
Certification	ETL/cETL
Mounting and accessories	See page 75



TANEO is a sophisticated LED lighting solution designed to provide premium performance for a myriad of task lighting applications. With three available light output levels, as well as options for lenses, color rendering and the type of mounting that will work best, TANEO can properly fulfill every luminance requirement. TANEO is energy-efficient, consuming 30% less energy when compared to conventional task luminaires with the same luminous power. High lighting quality and ergonomic handling make TANEO ideal for manufacturing, assembly or quality control procedures, as well as in laboratory, electronic, watchmaking, or dental applications.

DIMENSIONAL DATA



Measurements in millimeters

ORDERING INFORMATION

Version	Wattage	Color Temp.	Lens	Dimension (A)	Lumens	Model	Part #
Double arm	14 W	4000 K	Clear prismatic	8.6" (218 mm)	650	STZL 12 R	112576000-00562055
Double arm	14 W	5000 K	Clear prismatic	8.6" (218 mm)	650	STZL 12 R	112576000-00562045
Double arm	14 W	4000 K	Satine	8.6" (218 mm)	600	STZL 12 R	112576000-00562095
Double arm	14 W	5000 K	Satine	8.6" (218 mm)	600	STZL 12 R	112576000-00562104
Double arm	24 W	4000 K	Clear prismatic	15.7" (398 mm)	1300	STZL 24 R	113572000-00740185
Double arm	24 W	5000 K	Clear prismatic	15.7" (398 mm)	1300	STZL 24 R	113572000-00740194
Double arm	24 W	4000 K	Satine	15.7" (398 mm)	1200	STZL 24 R	113572000-00740203
Double arm	24 W	5000 K	Satine	15.7" (398 mm)	1200	STZL 24 R	113572000-00740214
Double arm	34 W	4000 K	Clear prismatic	22.7" (577 mm)	1950	STZL 36 R	113573000-00741214
Double arm	34 W	5000 K	Clear prismatic	22.7" (577 mm)	1950	STZL 36 R	113573000-00741230
Double arm	34 W	4000 K	Satine	22.7" (577 mm)	1800	STZL 36 R	113573000-00741240
Double arm	34 W	5000 K	Satine	22.7" (577 mm)	1800	STZL 36 R	113573000-00741249
Mounted swivel arm	14 W	4000 K	Clear prismatic	8.6" (218 mm)	650	SARKL 12 R	112991000-00562401
Mounted swivel arm	14 W	5000 K	Clear prismatic	8.6" (218 mm)	650	SARKL 12 R	112991000-00562464
Mounted swivel arm	14 W	4000 K	Satine	8.6" (218 mm)	600	SARKL 12 R	112991000-00562476
Mounted swivel arm	14 W	5000 K	Satine	8.6" (218 mm)	600	SARKL 12 R	112991000-00562486
Fixed mount with rotation	24 W	4000 K	Clear prismatic	15.7" (398 mm)	1300	SARL 24 R	113574000-00741355
Fixed mount with rotation	24 W	5000 K	Clear prismatic	15.7" (398 mm)	1300	SARL 24 R	113574000-00741364
Fixed mount with rotation	24 W	4000 K	Satine	15.7" (398 mm)	1200	SARL 24 R	113574000-00741376
Fixed mount with rotation	24 W	5000 K	Satine	15.7" (398 mm)	1200	SARL 24 R	113574000-00741387
Fixed mount with rotation	34 W	4000 K	Clear prismatic	22.7" (577 mm)	1950	SARL 36 R	113575000-00743269
Fixed mount with rotation	34 W	5000 K	Clear prismatic	22.7" (577 mm)	1950	SARL 36 R	113575000-00743278
Fixed mount with rotation	34 W	4000 K	Satine	22.7" (577 mm)	1800	SARL 36 R	113575000-00743294
Fixed mount with rotation	34 W	5000 K	Satine	22.7" (577 mm)	1800	SARL 36 R	113575000-00743312

Mounting Options	Item	Dimensions	Part #
	Table clamp for pin mount (included)	0" x 3.5" span	19102506940
	Wall bracket	3" x 3"	226108019-00610754
	1/2" pin mount adapter	1.77" length	US0209022
	1/2" pin mount adapter	3.75" length	US0209012

Accessories	Item	Magnification	Size	Part #
	Clip-on magnifier	3.5 diopters (1.88X)	5" diameter	190207019-00575900