



**New!**  
Handheld  
model now  
available!

**Waldmann** **W**  
ENGINEERS OF LIGHT

**OPTICLUX**  
LED MAGNIFIER LUMINAIRE



reddot award 2018  
winner



**New!**  
Handheld model  
now available!



suitable for  
Laboratories,  
medical practices,  
clinics, etc.

**APPROVED  
MEDICAL DEVICE**

compliant with

EN 60601-1



## OPTICLUX MAGNIFIER LUMINAIRE



### Peerless light field

Oversized 6.3" wide lens, 1.9x (3.5d) magnification and adjustable step-free dimming.



### Ergonomic handling

Spring-balanced arm and friction joints allow smooth handling without the luminaire head drifting or drooping.



### Long service life

Premium high-powered LEDs, scratch-resistant special-coated lens and precision components ensure strength and durability.



### Flexible positioning

Long easily maneuverable joints and ergonomically-tested arm for ease of use and reliable precision.



### What is a Wood's light and why is it important?

A Wood's light examination is a test that uses ultraviolet (UV) light to look at the skin closely. The test is usually done in a dark room. The dermatologist will turn on the Wood's light and hold it 4 to 5 inches from the skin to look for color changes.

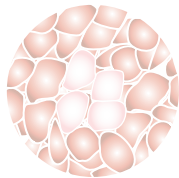
### OPTICLUX and Wood's light.

The special model option for dermatologists, veterinarians and forensic medicine combines two lighting modes in one device: daylight white illumination and Wood's light. With the flip of a switch, the practitioner is able to use the right tool for whatever task needs to be done. A variety of examination types can be performed with just one light. Other Wood luminaires require the room to be completely darkened. Thanks to powerful BLB LEDs, the Opticlux does not require this.

For radiation of certain dermatomycoses to obtain diagnostic indications based on the fluorescence that occurs:

- ERYTHRASMA (red fluorescence)
- MICROSPORIA (weak green fluorescence)
- FAVUS (bilious green fluorescence)
- TRICHOBACTERIOSIS AXILLARIS (yellow ochre colored fluorescence)
- PITYRIASIS VERSICOLOR (yellow ochre colored fluorescence)
- TUBEROUS SCHLEROSIS (blue-white fluorescence versus normal skin)
- VITILIGO (blue-white fluorescence of depigmented areas)
- SCABIES (gray-white mite tracks)

Also for fluorescence diagnostics (FD) for in-vivo diagnostics of dysplastic tissues and surface tumors in connection with local or systemically applied pigment, such as PPIX or 5-ALA.

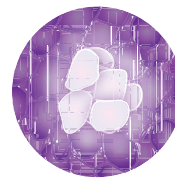


**LED light  
& dimming**

Skin under daylight-simulating LED light

### Reliable color rendering

Premium 6500 K LEDs ensure less shadow formation and optimal color rendering (CRI / Ra > 93, R9 > 90, R13 > 95)



**Wood's light  
(365 nm)**

Accurate diagnosis: Skin variations appear more distinctive under the Wood's light, a must in dermatology as well as many other fields of medicine.

### Special for dermatology \*

Two lighting modes in one device: optional Wood's light for examining lesions and pigment changes

# OPTICLUX FOR THE PRACTICE AND IN THE LAB.



## Effortless observation

90 high-quality LEDs, low-shadow illumination; adjustable step-free dimming and a 1.9x (3.5d) wide-angle lens ensures clear, even viewing.

## Precise positioning

Light arm made of aluminum and fiberglass-reinforced friction joints ensure long life and highly accurate positioning despite low weight.

## More economical, reliable use

High-efficiency LED light technology saves energy and ensures long-term maintenance-free operation.

## Simple, versatile mounting options

The only magnifier luminaire in its segment that is available as a ceiling version as well as the 16mm pin-mount version for mounting on wall, table, rail and rolling floor stand.

## Easy cleaning

Lens cover, keypad and premium housing for fast cleaning.

## Optimal color rendering

Especially skin and red tones are reproduced close to optimal daylight; color rendering Opticlux CRI / Ra > 93, R9 > 90, R13 > 95.



# ONE MAGNIFIER LUMINAIRE. MANY APPLICATIONS.

Very few magnifier luminaires are tested medical devices according to EN 60601-1. With its unique light quality and sophisticated design, OPTICLUX is ideal for use in various fields of medicine.



## Dermatologists

Optimal examination conditions:

- Large magnifier diameter
- Ergonomic handling
- Very good color rendering  $R13 > 95$

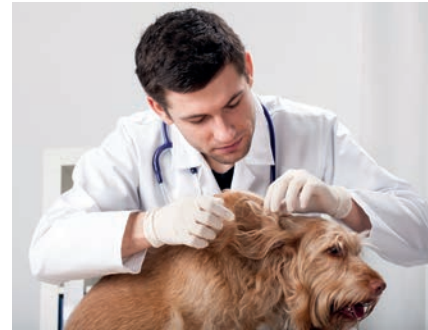
The Wood's light version is recommended for diagnosis of skin diseases.



## Hospitals, outpatient clinics and practices

Other uses:

- Ideal magnification for inspecting sterilized goods
- Approved medical device for examinations
- Minor treatments
- Outstanding light quality
- Color rendering properties

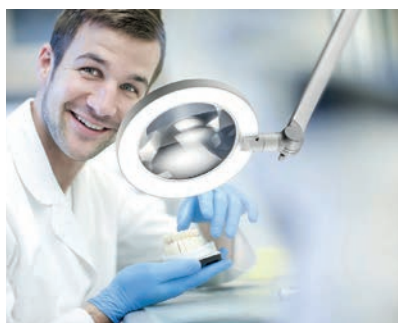


## Veterinarians

Free hand:

- Flexible mounting options: ceiling, wall, rail, or rolling floor stand
- Large light field
- Optimal magnification for examination and treatment of various animals

The Wood's light version is recommended for optimal diagnosis of skin diseases.



## Dental technicians

Outstanding lighting properties:

- Step-free dimming
- 1.9x (3.5d) magnification
- Excellent color reproduction  $CRI / Ra > 93$  for the best results and fatigue-free work



## Laboratories

Details at a glance:

- True daylight-white LED light with 1.9x (3.5d) magnification
- Smooth, even light field
- Precise, stable positioning with no risk of the luminaire sinking



## Quality control

Detect subtleties:

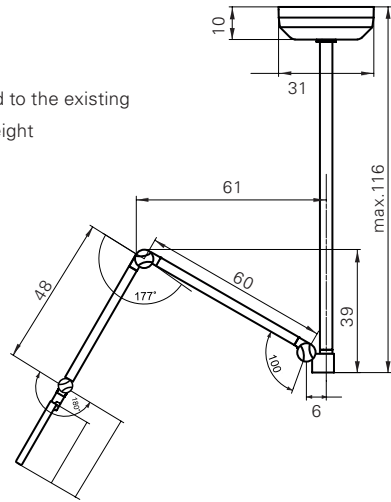
- Very bright, dimmable light with optimal color rendering
- Large magnifier diameter
- Distortion-free magnification supports systematic quality control

**CEILING VERSION**



Ceiling mount\*

Can be adapted to the existing room ceiling height



**PIN-MOUNT VERSION**



Rail mount

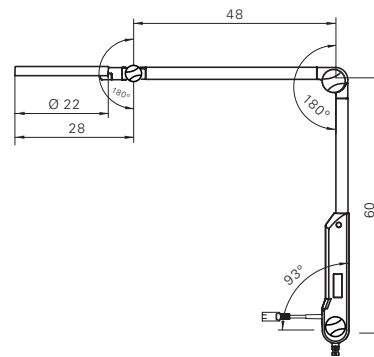


Table clamp mount



Wall mount



Rolling floor stand

**NEW!**

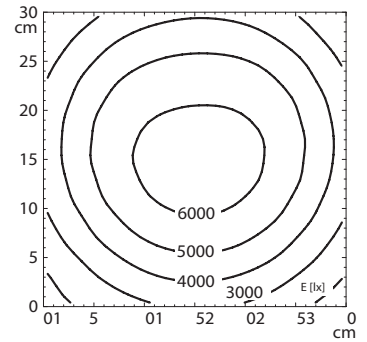
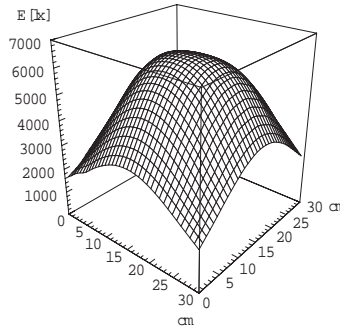


OPTICLUX Hand held shown with optional charging station

\*For 8-11.5' ceiling heights with field cuttable tube

**OPTICLUX Family at a glance**

- Color temperature daylight white 6500 K \*
- Magnification 1.9x (3.5 diopters)
- 6.3" specially-treated hard acrylic magnifier lens with protective lens cover
- Color rendering properties: CRI > 93, R9 > 90, R13 > 95
- Light field: 6000 lux / 0.15 m
- Continuously dimmable 100% of 10%
- Several mounting options available
- Complies to EN-60601-1 standards
- Optional Wood's light: Peak at 365 nm



**OPTICLUX Hand unique features**

- Homogeneous and very bright light field (8,000 lx at 0.15 m)
- USB-C interface
- 3 hours of battery life
- Optional charging stand



**ORDERING INFORMATION**

Model	Mounting Type	Special Features	Part No
Opticlux 10-1 CT1	Ceiling*		D16070000
Opticlux 10-2 CT1	Ceiling*	Wood's light	D16071000
Opticlux 10-1 PTX	Clamp		D15954100
Opticlux 10-2 TX	Clamp	Wood's light	D15953100
Opticlux 10-1 PTX	Rail Mount		D15954150
Opticlux 10-2 TX	Rail Mount	Wood's light	D15953150
Opticlux 10-1 PTX	Rolling Stand		D15954110
Opticlux 10-2 TX	Rolling Stand	Wood's light	D15953110
Opticlux 10-1 PTX	Wall Mount		D15954120
Opticlux 10-2 TX	Wall Mount	Wood's light	D15953120
Opticlux 10-1 PTX	Wall Mount/Extension Arm		D15954130
Opticlux 10-2 TX	Wall Mount/Extension Arm	Wood's light	D15953130
Opticlux Hand NEW!	Hand held	Wood's light	D16067000

**ACCESSORIES**

**Table Clamp**

Material Steel/polyresir  
 Span 0-2.75"  
 Weight 1 lb  
 Color Black  
**Part # D14228000**



**Rolling Floor Stand**

Material Steel/plastic  
 Color Gray  
 Dimensions 39" height X Ø 28"  
 Weight 16.5 lbs  
**Part # D15595000**



**Wall Mount**

Material Polyamide  
 Weight .5 lb  
 Color White  
**Part # D13231000**



**Rail Clamp\*\***

Material Anodized aluminum  
 Span 0-2.75"  
**Part # D13269000**



**Universal Base Mount**

Dimensions 2.4" x 2.4"  
 Color Black  
**Part # 204090019-00000599**



**Ceiling Cover Plate**

Width **Part #**  
 100 mm **D12853000-00814439**  
 385 mm **D15378000-00663168**



**Charging Station: Hand held**

Material ABS Plastic  
 Connection USB integrated charging cable  
 Mounting Table or wall  
 Color White  
**Part # D16173000**



**Extension Arm**

Material Powder coated tubular steel  
 Length 15.7"  
 Weight 1.4 lbs  
 Load 5.5 lbs  
 Capacity  
 Color White  
**Part # D13363000**



**Mounting Rail**

Length **Part #**  
 1 meter **D13505000**  
 1.5 meter **D13506000**



\*\*Mounting rail sold separately

**HEADQUARTERS GERMANY**

Herbert Waldmann GmbH & Co. KG  
 Peter-Henlein-Straße 5  
 78056 VILLINGEN-SCHWENNINGEN  
 GERMANY  
 Telephone +49 7720 601 - 0  
 Telephone +49 7720 601 - 100 (Sales)  
 Fax +49 7720 601 - 290  
 www.waldmann.com  
 sales.germany@waldmann.com

**FRANCE**

Waldmann Eclairage S.A.S.  
 Zone Industrielle  
 Rue de l'Embranchement  
 67116 REICHSTETT  
 FRANCE  
 Telephone +33 3 88 20 95 88  
 Fax +33 3 88 20 95 68  
 www.waldmann.com  
 info-fr@waldmann.com

**ITALY**

Waldmann Illuminotecnica S.r.l.  
 Via della Pace, 18 A  
 20098 SAN GIULIANO MILANESE (MI)  
 ITALY  
 Telephone +39 02 98 24 90 24  
 Fax +39 02 98 24 63 78  
 www.waldmann.com  
 info-it@waldmann.com

**THE NETHERLANDS**

Waldmann B.V.  
 Lingewei 19  
 4004 LK TIEL  
 THE NETHERLANDS  
 Telephone +31 344 631019  
 Fax +31 344 627856  
 www.waldmann.com  
 info-nl@waldmann.com

**AUSTRIA**

Waldmann Lichttechnik Ges.m.b.H.  
 Gewerbepark Wagram 7  
 4061 PASCHING/LINZ  
 AUSTRIA  
 Telephone +43 7229 67400  
 Fax +43 7229 67444  
 www.waldmann.com  
 info-at@waldmann.com

**SCANDINAVIA**

Waldmann Ljusteknik AB  
 Skebokvarnsvägen 370  
 124 50 BANDHAGEN  
 SWEDEN  
 Telephone +46 8 990 350  
 Fax +46 8 991 609  
 www.waldmann.com  
 info-se@waldmann.com

**SWITZERLAND**

Waldmann Lichttechnik GmbH  
 Benkenstrasse 57  
 5024 KÜTTIGEN  
 SWITZERLAND  
 Telephone +41 62 839 1212  
 Fax +41 62 839 1299  
 www.waldmann.com  
 info-ch@waldmann.com

**UNITED KINGDOM**

Waldmann Lighting Ltd.  
 10 Millfield House  
 Croxley Park  
 WATFORD WD18 8YX  
 UNITED KINGDOM  
 Telephone +44 1923 800030  
 Fax +44 1923 800016  
 www.waldmann.com  
 info-uk@waldmann.com

**USA**

Waldmann Lighting Company  
 9 W. Century Drive  
 WHEELING, ILLINOIS 60090  
 USA  
 Telephone +1 847 520 1060  
 Fax +1 847 520 1730  
 www.waldmannlighting.com  
 waldmann@waldmannlighting.com

**CHINA**

Waldmann Lighting (Shanghai) Co., Ltd.  
 Part A11a, No. Five Normative Workshop  
 199 Changjian Road, Baoshan  
 SHANGHAI, P.R.C. 200949  
 CHINA  
 Telephone +86 21 5169 1799  
 Fax +86 21 3385 0032  
 www.waldmann.com.cn  
 info-cn@waldmann.com

**SINGAPORE**

Waldmann Lighting Singapore Pte. Ltd. 77A  
 Neil Road  
 SINGAPORE 088903  
 SINGAPORE  
 Telephone +65 6275 8300  
 Fax +65 6275 8377  
 www.waldmann.com  
 sales-sg@waldmann.com

**List of references**

The images in this brochure originate from the following providers:

Titel : 123rf.com  
 Page 5 : Depositfoto  
 Page 6 : Shutterstock  
 Page 8 : IStock, Alamy, Depositfoto  
 Page 9 : AdobeStock, Alamy, Unsplash, Masterfile

Product and reference photos from Hauser & Partner Imaging GmbH.

All other photos and graphics originate from Derungs Licht AG and the Waldmann Group.

Center of Expertise for Care & Health: .....

**DERUNGS LICHT AG**

Hofmattstrasse 12  
 9200 Gossau  
 Switzerland  
 Phone +41 71 388 11 66  
 Fax +41 71 388 11 77  
 www.derungslicht.com  
 mailbox@derungslicht.com

Derungs Licht AG is a member of the  
 Waldmann Group.



www.waldmannlighting.com