

OMNIVUE

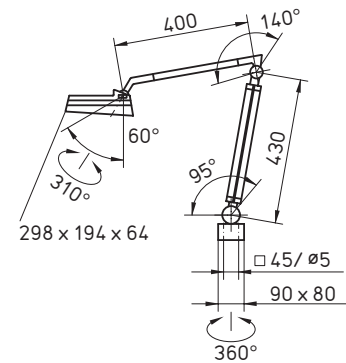
STADIUM LENS MAGNIFIER

FEATURES:

- Optical glass lens has 3d magnification
- Stadium lens offers wide viewing angles
- Magnifier tilts independently of light source for precise positioning
- Standard model offers a 35-inch reach
- OmnivueMax extends to 43 inches
- Plug-in 120V operation
- C-clamp provides easy arm installation
- UV and ESD models available

SPECIFICATIONS:

Voltage	120V, 60Hz
Lamping	CFL
Operation	multi-level switching
Magnification	3 diopters
Color Temperature	5000K
Lens Material	optical-grade glass
Lens Dimension	4.25" x 6.5"
Arm Reach	35" or 43"
Power Consumption	27W
Protection Rating	IP20
Certification	ETL/cETL
Cord/Plug	10' cord w/ shock-proof plug
Mounting and accessories	See page 72



Measurements in millimeters

OMNIVUE features a distinctive, fully rotational 3-diopter magnifier lens for precise positioning and wide area magnification. OMNIVUE utilizes three 9W compact fluorescent lamps, instead of the typical two lamp configuration used by others. Two high-quality rocker switches, built into the head, provide on/off switching as well as the option of using 18 or 27 watts of light output. OMNIVUE's fully pivoting, large stadium lens provides outstanding clarity and sharpness. By positioning the magnifier independently of the light source, excellent visual contrast can be achieved, allowing for precise inspection. The C-clamp universal base included with the OMNIVUE is designed for industrial applications and can be permanently installed or used as a portable table clamp.



OMNIVUE



OMNIVUE ESD

ORDERING INFORMATION

Wattage	Arm Reach	Magnification	Color Temp.	Model	Part #
27W	35" reach	3 diopters	5000K	Omnivue	118 790 000
27W	43" reach	3 diopters	5000K	OmnivueMax	047 803 000
27W	35" reach	3 diopters	5000K	Omnivue ESD	138 425 000
27W	43" reach	3 diopters	5000K	OmnivueMax ESD	138 425 001

Mounting Options	Item	Dimensions	Part #
	Table clamp - with pin mount (included)	0" - 3.5" span	191 025 069 40
	Table clamp (universal base required)	2.5" - 5.4" span	190 033 019 - 000 149 50
	Universal base for table/wall	2.4" x 2.4"	204 090 019
	Wall bracket - heavy duty (universal base required)	3" x 3"	226 108 019 - 006 107 54
	Table base, rectangular, for pin mount	10" x 6.7" x 1"	190 037 019 - 000 149 68
	1/2" Pin mount adapter	1.77" length	US0 209 022
	1/2" Pin mount adapter	3.75" length	US0 209 012

Accessories	Item	Magnification	Part #
	Add-x lens	4 diopters (2X)	190 080 019
	Add-x lens	4d + 12d (2X + 4X)	190 080 029
	Add-x ESD lens	4 diopters (2X)	190 080 049 - 000 612 80

Replacement Lamps	Item	Color Temp.	Part #
	Compact fluorescent lamp (CFL)	5000K	950 900 038
	UV compact fluorescent lamp (UV CFL)	5000K	US0 007 013