

---

## NAVIGATOR

### MULTI-FUNCTION DIMMING SWITCH



Whether it be a single fixture or multiple fixtures, the LightMaster Multifunction Switch has made it easy to control the various types of lights that are required in the patient room. Using only a single gang space, the LightMaster keypad is low voltage and uses a mylar overlay for durability, patient safety and infection control.

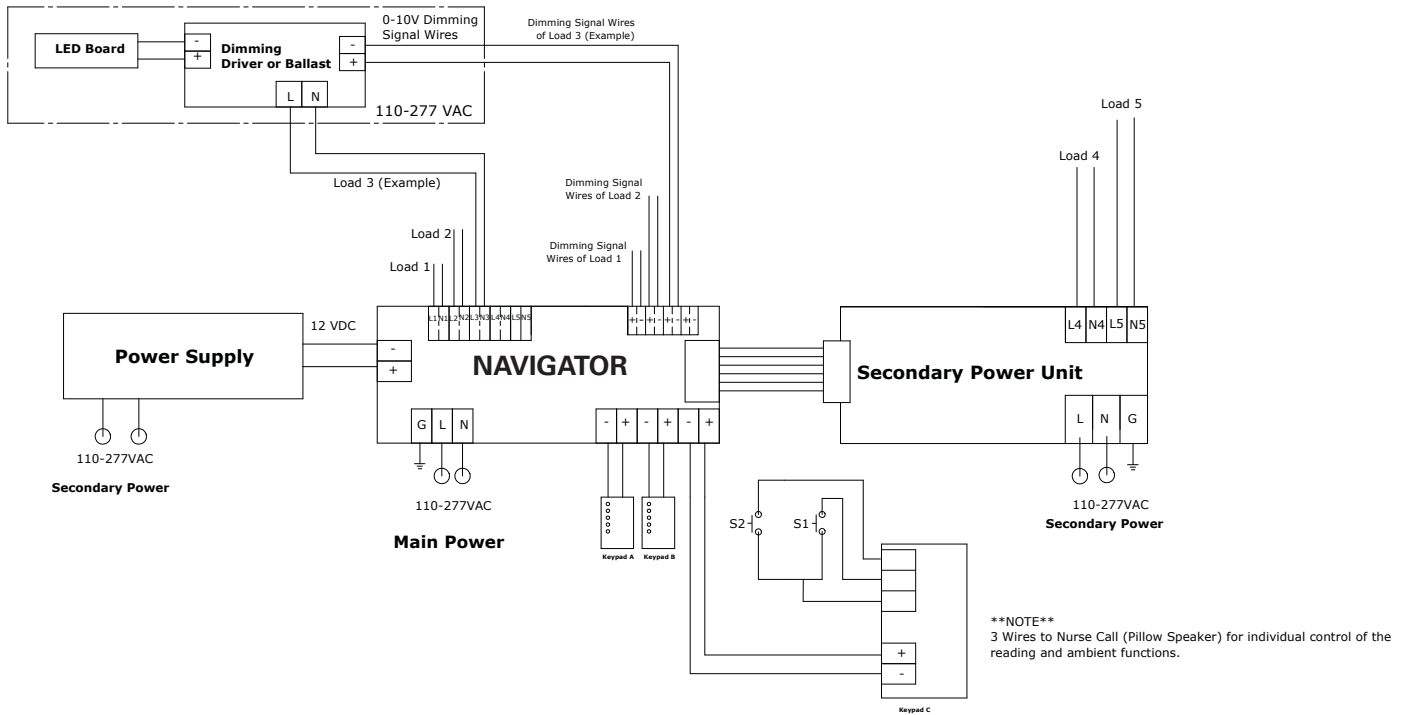
#### Features of the Keypad:

- Controls up to five (5) light functions in the patient room
- Backlit icons identify which light function is in use
- Dimming indicator allows you to set the light at the desired level
- Keypads are low voltage for patient safety
- Compact design fits into a single gang opening
- Mylar overlay for ease of cleaning and infection control
- Compatible with all manufactured nurse call products

#### Features of the Master Controller:

- Capable of individual control of up to five (5) circuit loads
- Universal input voltage of 120 – 277 Volts
- Terminal blocks allow for ease of connection
- Compact design fits inside most light fixtures
- 0 - 10 dimming capability when used with dimming drivers/ ballasts
- Available with secondary power control unit

## Wiring Diagram A - NAVIGATOR System



## Wiring Diagram B - NAVIGATOR System with Secondary Power Unit

