





MAIA

SENSE AND SENSORY EXPERIENCE.

MAIA is the new task luminaire, which optimally blends the most important requirements of modern task lights: aesthetics and ergonomics, lighting quality and light efficiency.

The design rises above the zeitgeist, while the cuboid forms are in perfect harmony with current architectural trends. MAIA is also a highlight seen through the eyes of an ergonomist: The complex rod and joint mechanism meets the demand for easy and smooth handling in every work situation.

Last but not least, MAIA is also an economy miracle. Equipped with the innovative Waldmann glare-free technology AMBIO and an 11 W energy-saving lamp, it provides maximum lighting quality at low consumption.







THE MAIA **DESIGN** WILL
BE A HIGHLIGHT ON ANY DESK.

Over the past few years, architecture and office design have set a visibly new tone: away from sharp-edged shapes, often perceived as abrasive, toward softer lines. The trend toward rounded shapes is also reflected in the design of MAIA. The high-quality aluminum construction conveys the feeling of ease and transparency to the observer, inviting him/her to touch the lamp. The lamp head featuring very thin, stamped aluminum, as well as the support arm and the table base made of anodized aluminum, point to pleasant haptics. All surfaces are scratch-resistant and will remain stylish many years from now.









MAIA TARGETS THE REQUIREMENTS OF
MODERN WORKPLACES.



MAIA meets the requirements of all internationally relevant planning and product standards – especially of DIN 5035-8. Yet MAIA is anything but “normal”, as it also fulfills numerous individual requirements.

Simply the use of MAIA task luminaires is already an active contribution to energy savings. The luminaires can be switched on individually if the visual task requires, without necessitating additional spatial lighting if sufficient daylight is available.

In addition, MAIA is a long-term investment. Due to its mobility and flexibility, it can be used without difficulty in different locations, e.g. during reorganization.

MAIA IS ALL ABOUT ERGONOMICS.



MAIA is a task luminaire that meets the user's needs in every work situation, especially the need for easy operation. The switch is integrated in the side of the lamp head and always easily accessible.

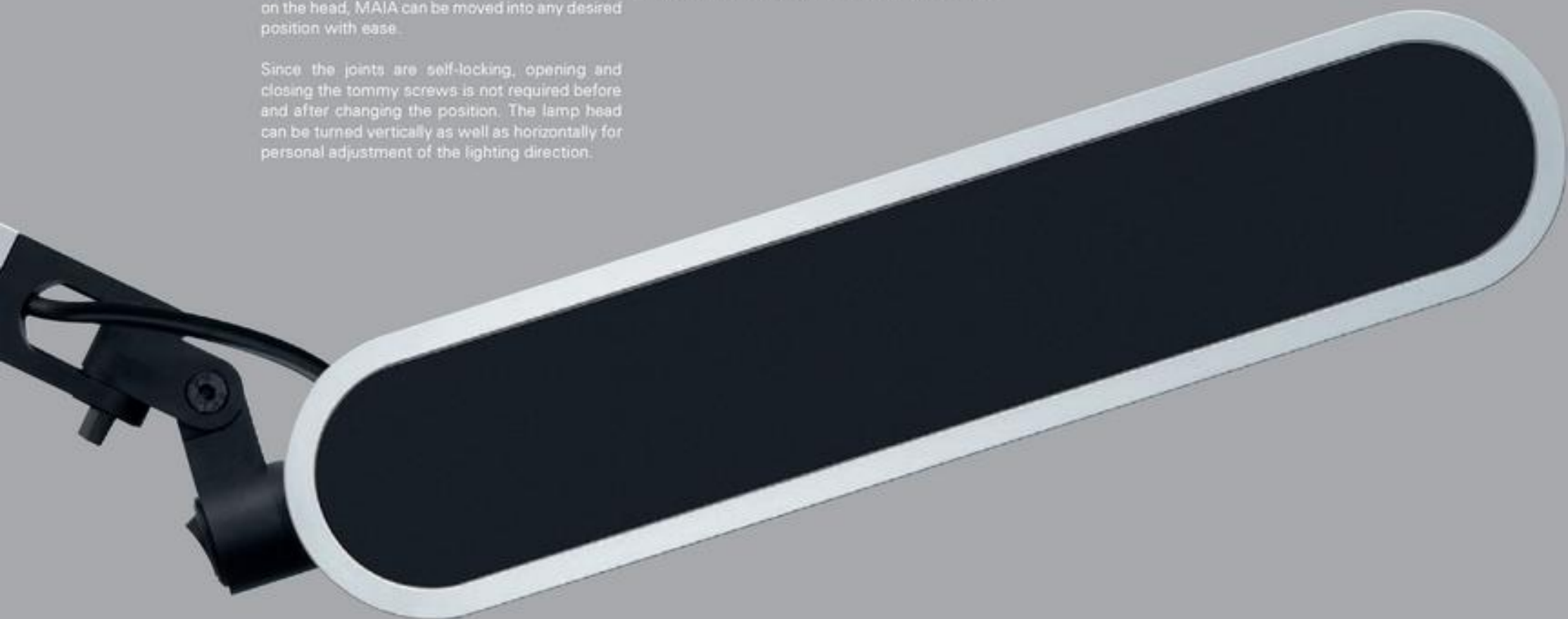
The exact adjustment of the luminaire to an individual's vision needs, only takes one touch: Because the base joint is equipped with a noiseless gas pressure spring and joints are provided on the head, MAIA can be moved into any desired position with ease.

Since the joints are self-locking, opening and closing the tommy screws is not required before and after changing the position. The lamp head can be turned vertically as well as horizontally for personal adjustment of the lighting direction.

The wide range of the support arm allows the luminaire to be set up or attached outside the writing and reading area. MAIA can be placed to the right or left of the user and is therefore equally suited for a right and left handed-person.

For set-up and attachment, three different mountings are available: A table base, a table clamp for table thicknesses up to 70 mm, and a socket for fixing the luminaire in the table top.

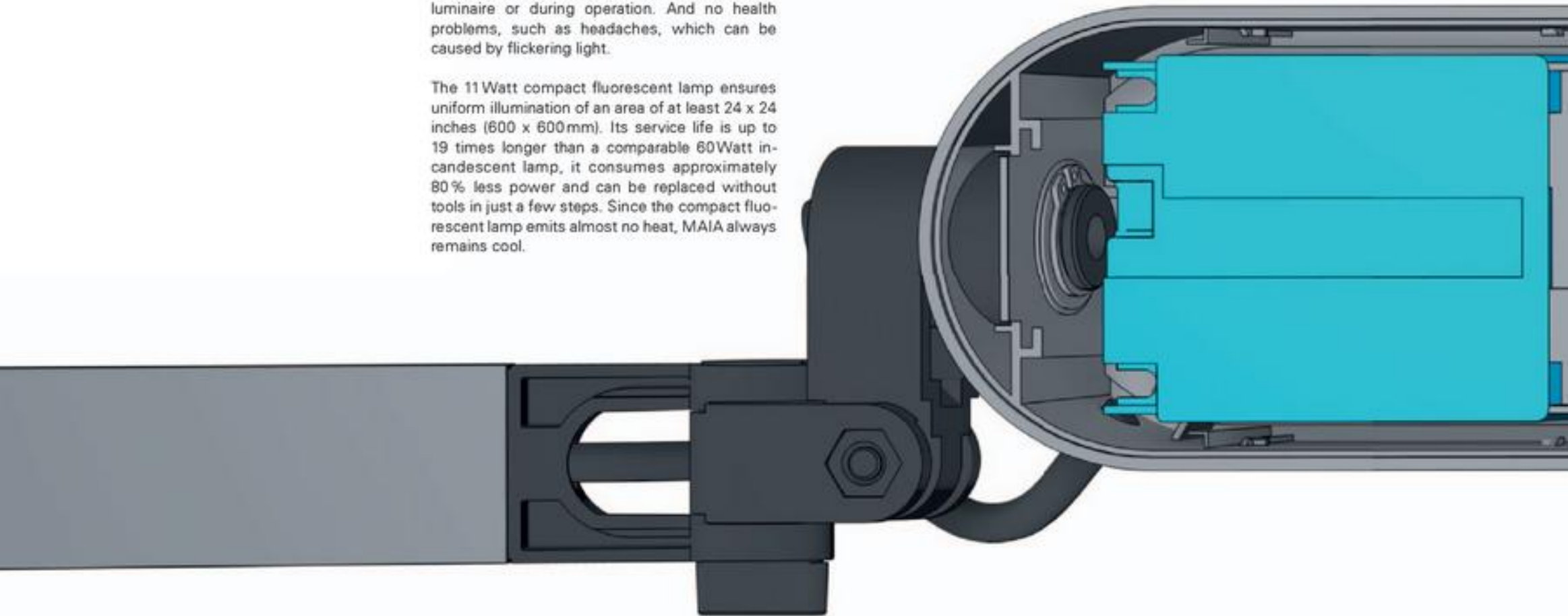
A person's ergonomic needs change with age. The vision of older employees decreases with age. A higher need for light and increased glare sensitivity are the result. MAIA creates the proper lighting at the workplace due to the individual adjustment of the brightness level and innovative glare-free technology.

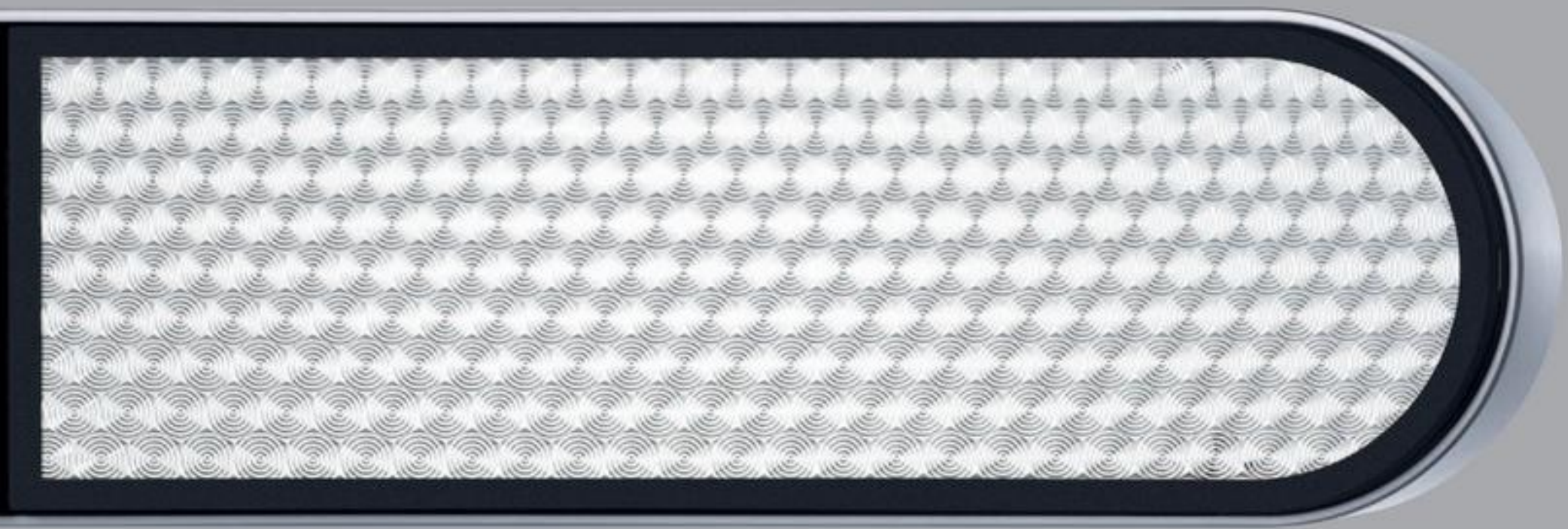


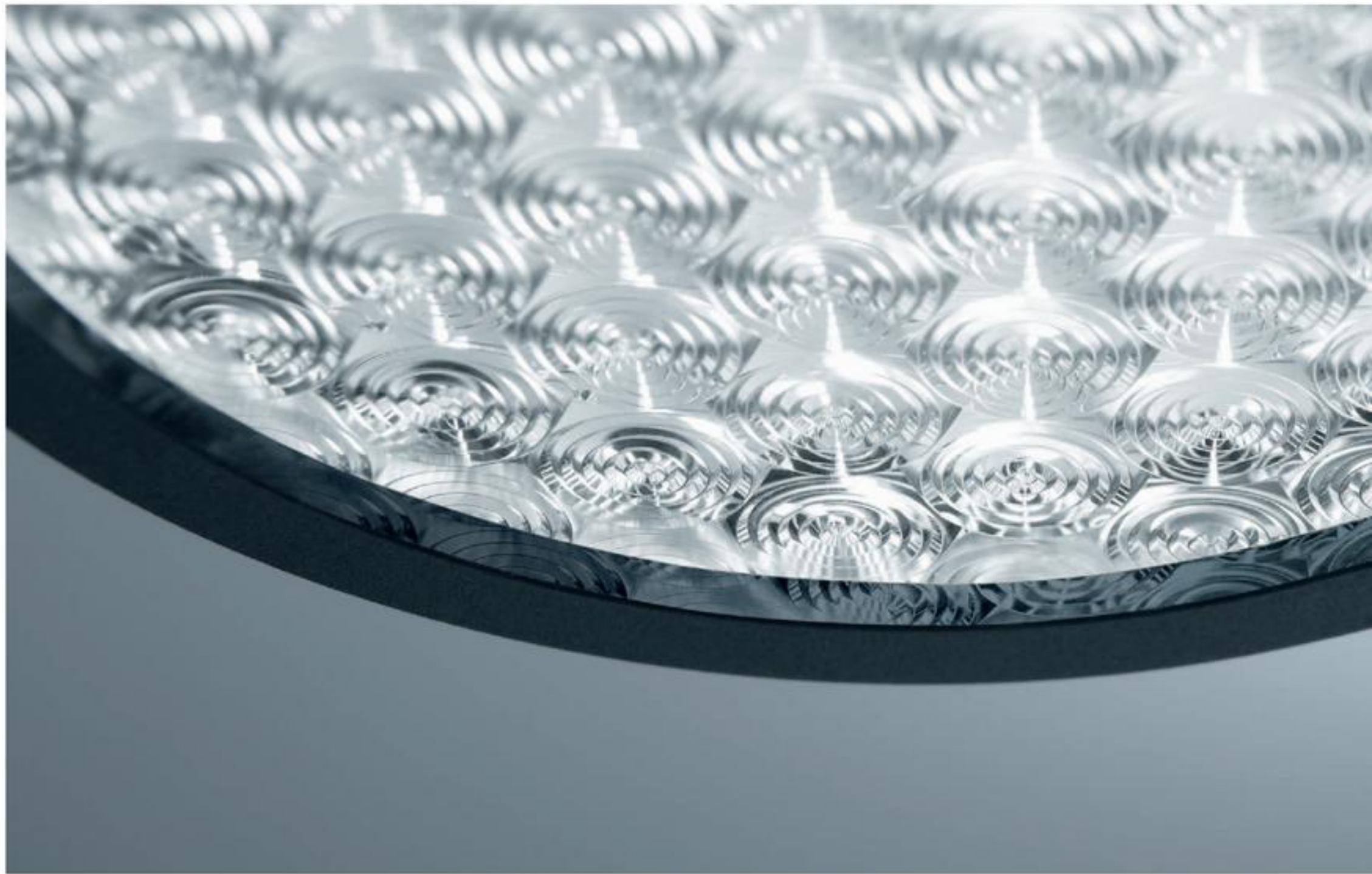
NO FLICKERING, NO PROBLEMS.

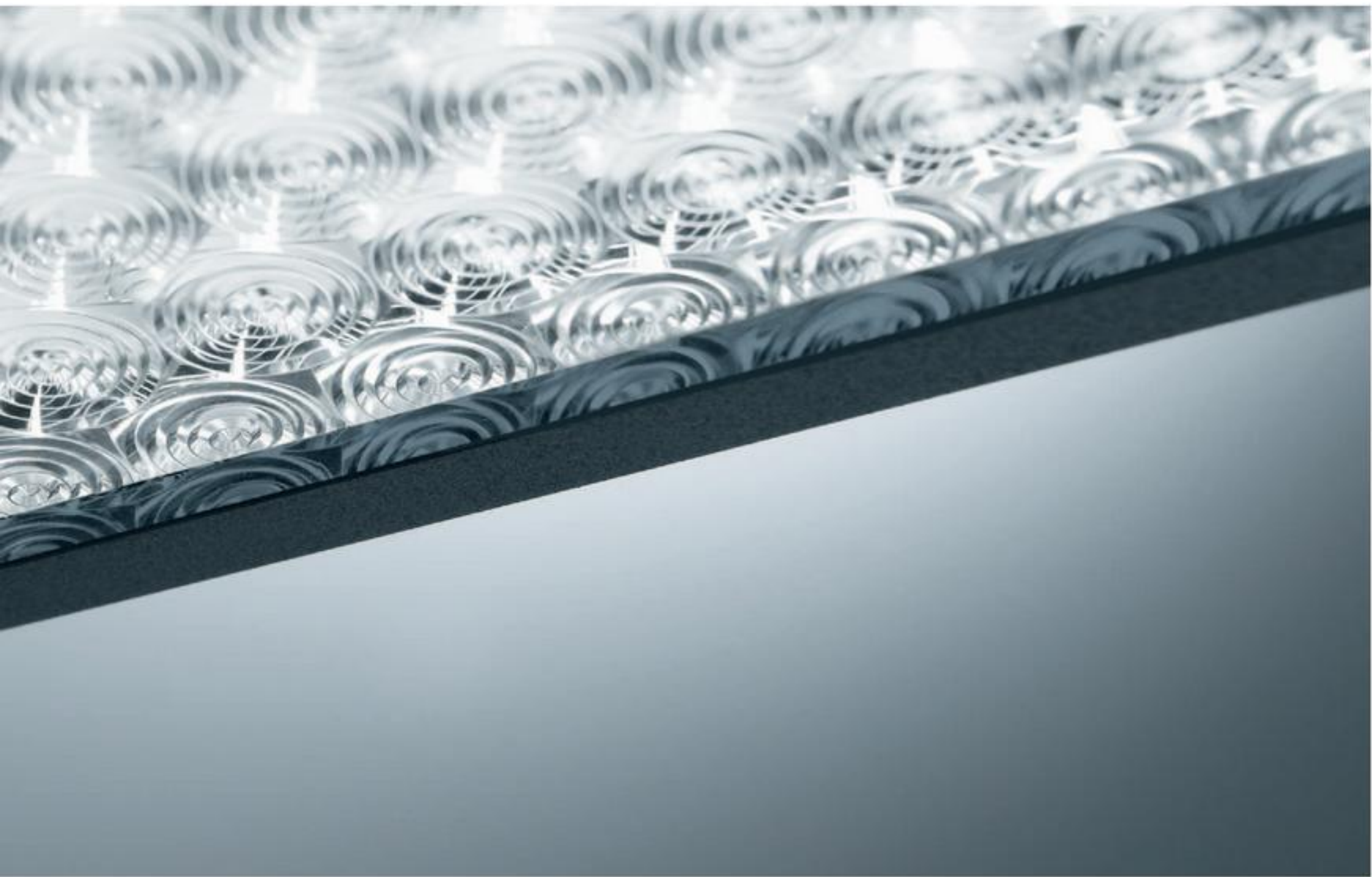
MAIA is equipped with a high-quality electronic ballast, which offers visible and noticeable advantages: No flickering when turning on the luminaire or during operation. And no health problems, such as headaches, which can be caused by flickering light.

The 11 Watt compact fluorescent lamp ensures uniform illumination of an area of at least 24 x 24 inches (600 x 600mm). Its service life is up to 19 times longer than a comparable 60Watt incandescent lamp, it consumes approximately 80% less power and can be replaced without tools in just a few steps. Since the compact fluorescent lamp emits almost no heat, MAIA always remains cool.











AMBIO

THANKS TO PERFECT **LIGHTING TECHNOLOGY**
MAIA OFFERS MAXIMUM EFFICIENCY.



MAIA is equipped with a special exclusive feature: AMBIO, the innovative Waldmann glare-free technology. The core of AMBIO is a prism disk, whose surface consists of numerous micro-prisms.

With AMBIO, MAIA achieves optimized, completely uniform all-round glare control. In addition, through the interaction of the lamp, reflector technology and thermal aspects, AMBIO ensures optimized light efficiency. The MAIA task luminaire with its AMBIO energy-conserving design pays off in many respects: It saves a considerable amount of power and constitutes a significant measure for lowering the overall energy demand of buildings.

A close-up photograph of a circular lens or filter. The lens has a complex, concentric ring pattern that creates a moiré effect. The pattern consists of many overlapping, slightly offset rings, creating a shimmering, textured appearance. The lens is set within a dark, possibly black, circular frame. The background is a soft, out-of-focus light blue. In the center of the lens, there is text. On the right side of the lens, there is a blue, semi-transparent arrow pointing towards the center.

AMBIO IS **GLARE SUPPRESSION**
WITH **ADDED VALUE.**



AMBIO 

AMBIO is more than aesthetics. AMBIO is also a design highlight, because the prism disk, measuring only 3 mm, creates room for new aspects. Visually, the coloration of the microprism, blends with the aluminum look of the MAIA task luminaire from Waldmann. The result is a uniform and all-round harmonious appearance.

AMBIO offers more lighting quality. AMBIO creates light without side effects. Direct glare, or glare from reflections, on monitor surfaces and other devices are effectively prevented. The prism disk provides optimum scattering of the light and distributes it evenly. In addition, uniform all-round glare control is achieved.



AMBIO offers even more light efficiency. Waldmann luminaires equipped with AMBIO can achieve extremely high efficiency due to the optimized interaction between the lamp and optical and thermal aspects. This allows the best possible use of the light emitted by the lamp. AMBIO's light efficiency is hard to beat.



CO₂
AMBIO 
TESTED



Visual task-related lighting.

Wherever the available light is not sufficient, illumination can be ideally adjusted to the individual needs with MAIA.



MAIA IS A **MILESTONE** ON THE PATH TOWARD OPTIMUM LIGHT.

Optimum light at the workplace affects the body and the mind. It promotes productivity and health, creates safety, and saves energy.

The TWIN-C of Waldmann offers optimum light; a state-of-the-art lighting concept for integral lighting solutions using ideally combined lighting components. The MAIA task luminaire is an essential component in the structure of a TWIN-C design. It offers greater flexibility than any other lighting component when it comes to the adjustment to individual vision requirements. Furthermore, in conjunction with AMBIO, MAIA also sets standards, where lighting quality and energy efficiency is concerned.



Surfaces.

Lamp head surface with very thin stamped aluminum, support arm and stand made of anodized aluminum. All surfaces are scratch-resistant and low glare.

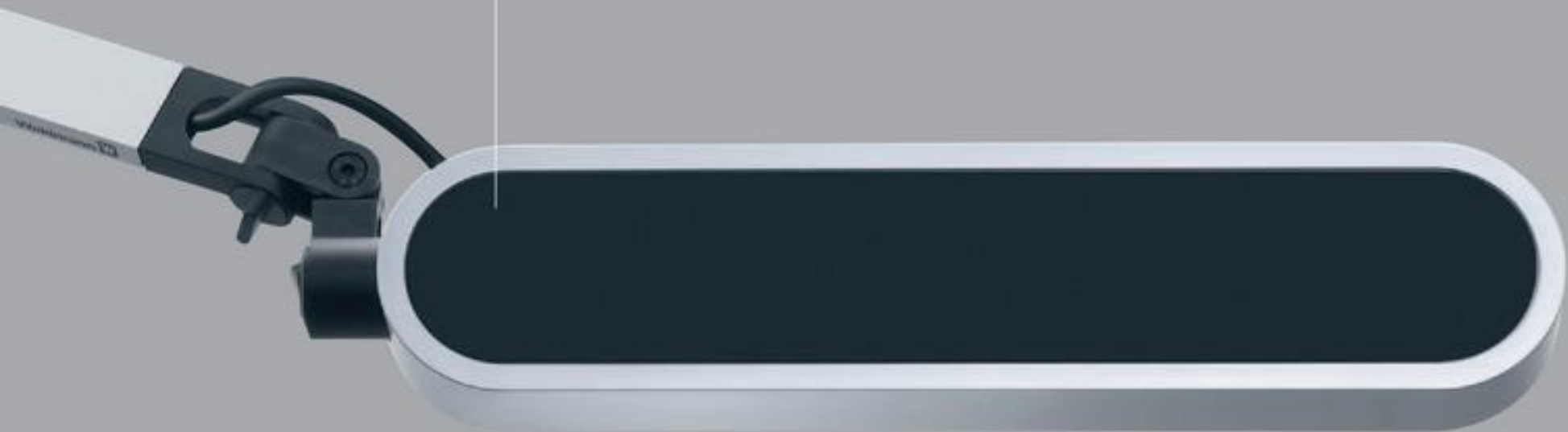
Table base, articulated joints, support arm.

Variable adjusting and fastening options using a table base and clamp. No risk of injury from joints and support arm. Diverse positioning possibilities and automatic retention of the selected settings through self-locking articulated joints.

MAIA – THE SPECIAL FEATURES AT A GLANCE.

Lamp head, lighting quality, energy efficiency.

Multidimensionally adjustable lamp head with easily accessible switch. Energy-saving 11 W fluorescent lamp and flicker-free operation due to electronic ballast. Absolutely glare-free and high light efficiency thanks to AMBIO.

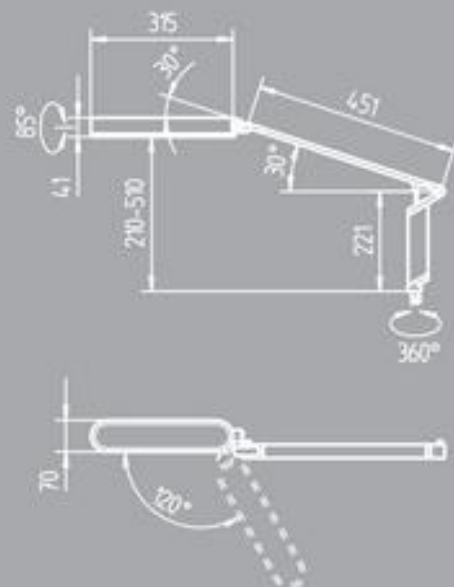


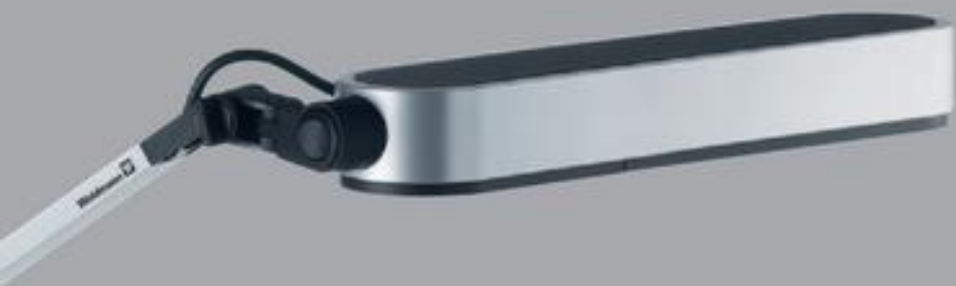
TECHNICAL DATA

POWER SUPPLY	230-240V, 50/60Hz
FITTED WITH	1 x compact fluorescent lamp TC-SEL 11 W
MAINS POWER CABLE	approx. 3m/11 ft, Euro plug
HOUSING	Plastic, stamped aluminum
RODS	Aluminum profile, anodized
FASTENING	Table base /table clamp (accessory)
WEIGHT	approx. 1040g
POWER CONSUMPTION	approx. 12 W
OPERATION	Switch
GLARE SUPPRESSION	AMBIO microprism disk
ARM BALANCE	Gas pressure spring
PROTECTION CLASS	II

ORDER INFORMATION

TYPE/MODEL	DTE 111 F
OPERATING DEVICE	Electronic ballast
HOUSING COLOR	Aluminum anodized
TECHNOLOGY	switchable
ORDER NO.	112 293 000





ACCESSORIES

TYPE/MODEL	COLORS	ORDER NO.
------------	--------	-----------

Table base	Black	ILL 005 00C
------------	-------	-------------



Table clamp	Black	ILL 001 00C
-------------	-------	-------------

Span width:
0-70 mm



SPECIAL FEATURES

- 1-arm model
- 11 W compact fluorescent lamp
- Light-amplifying microprism disk (AMBIO)

HEADQUARTERS GERMANY

Herbert Waldmann GmbH & Co. KG
Postfach 50 62
78057 VILLINGEN-SCHWENNINGEN
GERMANY
Telephone +49 7720 601-100
Fax +49 7720 601-390
www.waldmann.com
info@waldmann.com

FRANCE

Waldmann Eclairage S. A. S.
Zone Industrielle
Rue de l'Embranchement
67116 REICHESTETT
FRANCE
Telephone +33 3 88 20 95 88
Fax +33 3 88 20 95 68
www.waldmann.com
info-fr@waldmann.com

ITALY

Waldmann Illuminotecnica S.r.l.
Via della Pace, 18 A
20098 SAN GIULIANO MILANESE (MI)
ITALY
Telephone +39 02 98 24 90 24
Fax +39 02 98 24 63 78
www.waldmann.com
info-it@waldmann.com

THE NETHERLANDS

Waldmann B.V.
Lingewei 19
4004 LK TIEL
THE NETHERLANDS
Telephone +31 344 631019
Fax +31 344 627856
www.waldmann.com
info-nl@waldmann.com

AUSTRIA

Waldmann Lichttechnik Ges.m.b.H.
Gewerbepark Wagram 7
4061 PASCHING/LINZ
AUSTRIA
Telephone +43 7229 67400
Fax +43 7229 67444
www.waldmann.com
info-at@waldmann.com

SWEDEN

Waldmann Ljusteknik AB
Skebokvarnsvägen 370
124 50 BANDHAGEN
SWEDEN
Telephone +46 8 990 350
Fax +46 8 991 609
www.waldmann.se
hk@waldmann.se

SWITZERLAND

Waldmann Lichttechnik GmbH
Benkenstrasse 57
5024 KÜTTIGEN
SWITZERLAND
Telephone +41 62 839 1212
Fax +41 62 839 1299
www.waldmann.com
info-ch@waldmann.com

UK

Waldmann Lighting Ltd.
Holme Well Road
Middleton
LEEDS LS 10 4TQ
WEST YORKSHIRE
UK
Telephone +44 113 2775662
Fax +44 113 2775775
www.waldmann.com
enquiries@waldmannlighting.co.uk

USA

Waldmann Lighting Company
S. W. Century Drive
WHEELING, ILLINOIS 60090
USA
Telephone +1 847 520 1060
Fax +1 847 520 1730
www.waldmannlighting.com
waldmann@waldmannlighting.com

CHINA

Waldmann Lighting Shanghai Pte. Ltd.
Part A, No. Five Normative Workshop
199 Changjian Road, Baoshan
SHANGHAI, P.R.C. 200949
CHINA
Telephone +86 21 5169 1799
Fax +86 21 3385 0032
www.waldmann.com
s.lo@waldmann.com.cn

SINGAPORE

Waldmann Lighting Singapore Pte. Ltd.
168, Jalan Bukit Merah, #04-09B,
Connection One, Tower 3,
SINGAPOUR 150168
SINGAPOUR
Telephone +65 6275 8300
Fax +65 6275 8377
www.waldmann.com
sales@waldmann.com.sg