

# MINELA SOL

## WORKBENCH LED TASK LIGHT

### FEATURES:

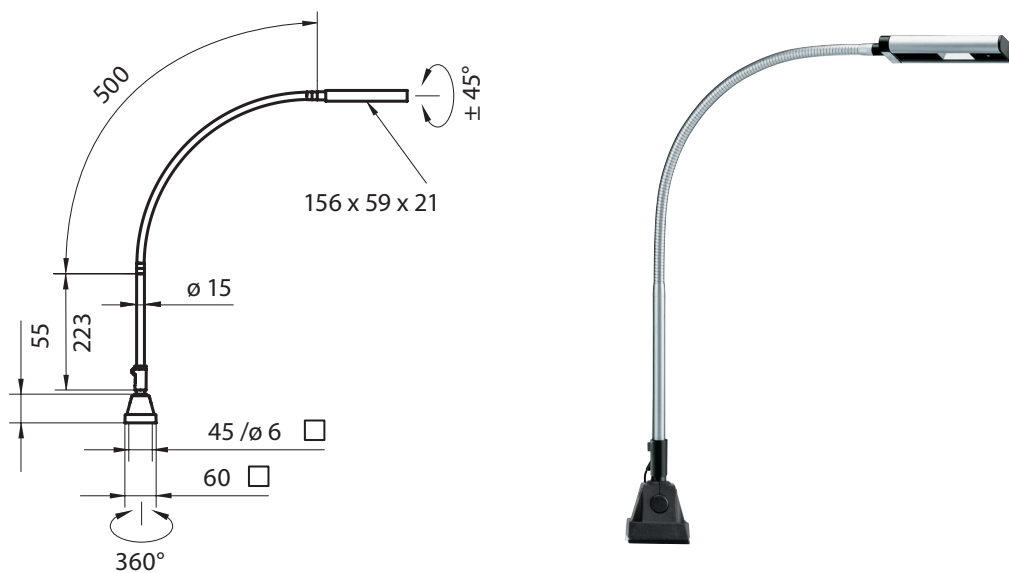
- 7-watt power multichip LED - high, luminous power with very little energy consumption
- Touch LED sensor for switching and dimming integrated into the luminaire head
- 40,000 hours of LED service life
- Auto-OFF function - switches off automatically after 14 hours of uninterrupted operation
- No shadows whatsoever
- High stability and durability - joints made of glass fiber-reinforced plastic

### SPECIFICATIONS:

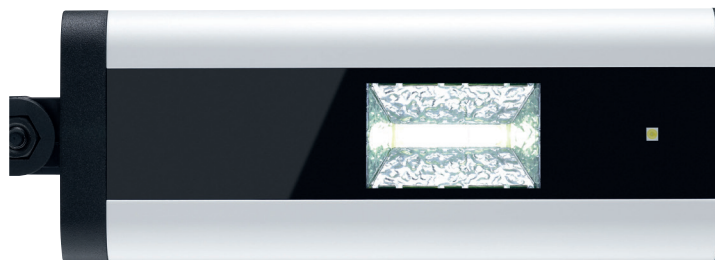
Voltage	100-240V, 50/60Hz
Lamping	LED
Operation	touch sensor
Color Temperature	4000K
Color Rendering Index (CRI)	85
Luminaire Material	flexible steel tube
Lens Material	acrylic
Head Dimension	6" x 2.3" x 0.8"
Arm Reach	16"
Power Consumption	7W
Protection Rating	IP20
Certification	CE marked
Cord/Plug	8.2' w/ cord and plug
Mounting	See page 70



MINELA SOL shines with true innovation illuminating the workspace with a wide swathe of comfortable light. Shadows are completely eliminated due to Waldmann's 7W high-power multichip LED strip design. The MINELA SOL combines superb lighting quality, energy-efficiency and high design to give the workplace a sleek, productive and functional environment.



Shown with optional universal base



Measurements in millimeters

#### ORDERING INFORMATION

Wattage	Voltage	Arm Style	Color Temp	Lumens	Model	Part #
7W	120-240V	16" reach gooseneck	4000K	330	SOL 1	112 929 000 - 005 015 70
Mounting Options	Item		Dimensions	Part #		
	Decorative table clamp (included)		0" - 2.75" span	ILL 001 00C - 000 504 72		
	Universal base for table/wall		2.4" x 2.4"	204 090 019		
	Table clamp, rectangular (universal base required)		2.5" - 5.4" span	190 033 019 - 000 149 50		
	Wall bracket (universal base required)		2.4" x 2.8"	300 213 018 - 000 251 78		
	Magnetic base		3.3" diameter	190 057 019 - 000 150 56		
	Table base, rectangular for pin mount		10.5" x 6.7" x 1"	190 037 019 - 000 149 68		
	1/2" Pin mount adapter		1.77" length	US0 209 022		
	1/2" Pin mount adapter		3.75" length	US0 209 012		