

HSW

WATERPROOF HALOGEN SPOT LIGHT

FEATURES:

- Waterproof (IP65) halogen spot light designed for industrial use
- Heavy-duty articulating arm provides maximum reach
- A 4-hole mounting base is included for secure permanent installations
- Easily accessible, built-in ergonomic switch on luminaire head
- HSW- 20 and HSWK-20 models available for 12V operation
- The HSWK-75 pivoting head version is ideal for smaller machines and work areas requiring very high illumination levels
- Industrial-grade arm systems are designed for years of trouble-free service, allowing for constant repositioning and precise adjustment

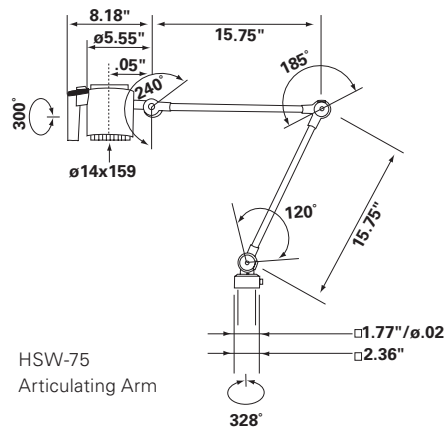
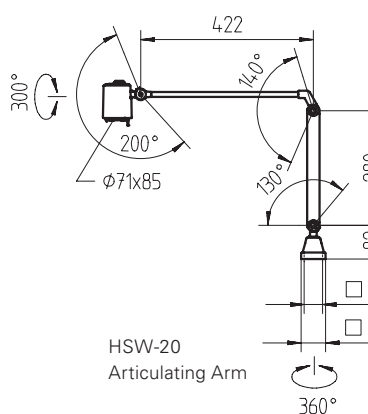
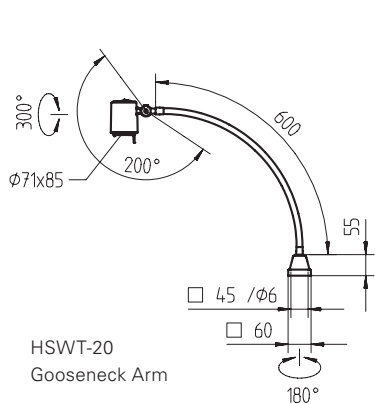
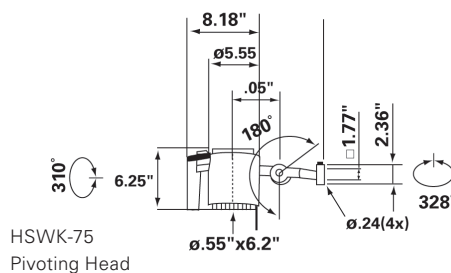
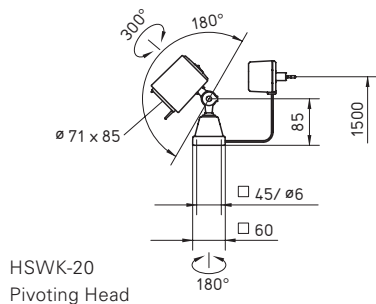
SPECIFICATIONS:

Voltage	12V or 24V AC/DC, 50/60Hz
Lamping	MR-16 halogen
Operation	switch on some models
Beam Angle	10° or 38°
Luminaire Material	high-impact ABS plastic
Lens Material	borosilicate glass
Lens Dimensions	HSW-20: 2.2" diameter glass lens HSW-75: 4.2" diameter double glass lens
Arm Reach	23" gooseneck or 27" articulating arm
Protection Rating	IP65
Cord/Plug	various
Mounting and accessories	See page 64



The HSW Series from Waldmann utilizes 20W and 75W halogen lamps to generate bright, focused light to the machining area. Suitable for use on most production machines and equipment, the HSW Series offers both 12V and 24V lighting equipment for easy connection and integration with existing equipment. It also makes an ideal upgrade for many original task lights found on machines that fail in difficult industrial environments. The HSW-75 waterproof halogen light delivers over 40% more light to the work surface than standard halogen lights by utilizing a 75-watt halogen lamp with a special reflector design. To provide glare-control, a built-in louver minimizes harsh, unwanted glare and light spill. All usable light is directed towards the work area and away from the machine operator's eyes, increasing safety. The HSW is impervious to coolants, oils and other lubricants making it ideal for machining areas where fluids are present. Typical applications include CNC machinery, drill presses, punch presses, mills, lathes and turning centers.

DIMENSIONAL DATA



Measurements in millimeters

ORDERING INFORMATION

Description	Wattage	Voltage	Switch Included	Model	Part #
Articulating arm	20W	12V	Yes	HSW-20	112 043 000 - 000 782 10
Articulating arm	20W	24V	Yes	HSW-20	112 043 010 - 000 782 14
Pivoting head	20W	12V	No	HSWK-20	112 081 000 - 000 781 97
Pivoting head	20W	24V	No	HSWK-20	112 081 010 - 000 781 98
Gooseneck arm	20W	12V	Yes	HSWT-20	112 049 012 - 000 788 84
Gooseneck arm	20W	24V	Yes	HSWT-20	112 049 010 - 000 788 85
Articulating arm	75W	12V	Yes	HSW-75	112 185 000 - 000 051 80
Articulating arm	75W	24V	Yes	HSW-75	112 185 010 - 000 052 46
Pivoting head	75W	12V	No	HSWK-75	112 187 003 - 000 051 85
Pivoting head	75W	24V	No	HSWK-75	112 187 013 - 000 052 36

Mounting Options	Item	Dimensions	Part #
	Universal base for table/wall (included)	2.4" x 2.4"	204 090 019
	Table clamp	0" - 2.75" span	190 007 019 - 000 149 04
	Table clamp	2.5" - 5.4" span	190 033 019 - 000 149 50
	Wall bracket	2.4" x 2.8"	300 213 018 - 000 251 78
	Magnetic base	3.3" diameter	190 057 019 - 000 150 56
	Table base, rectangular*	10.5" x 6.7" x 1"	190 036 109 - 000 582 38

*HSW-20 articulating arm model only

Replacement Lamps	Item	Wattage	Voltage	Beam Angle	Part #
	MR-16 halogen	20W	12V	10° (incl. in 12V)	320 471 090
	MR-16 halogen	20W	12V	38°	320 471 110
	MR-16 halogen	23W	24V	10° (incl. in 24V)	320 724 010 - 000 679 12
	Bi-pin halogen	75W	12V	na	320 283 030
	Bi-pin halogen	75W	24V	na	320 283 060 - 000 045 96