

HLWQE

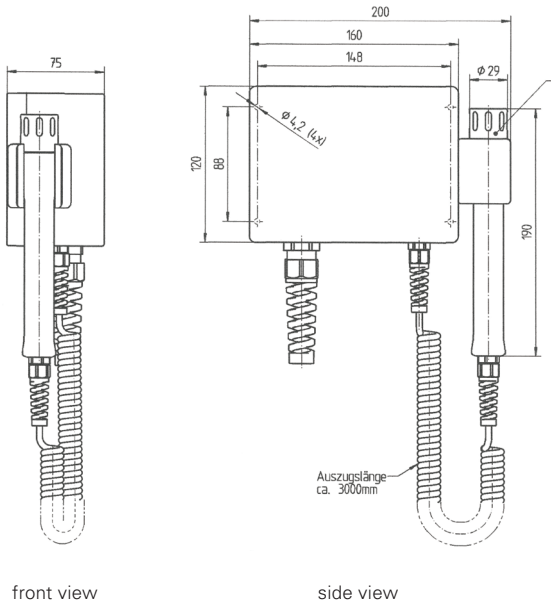
HANDHELD LED INSPECTION LIGHT

FEATURES:

- Variants with narrow and wide angles of illumination
- Suitable for use under extreme conditions such as high mechanical stress
- Maintenance-free: LED life of up to 50,000 hours and more
- Color temperature daylight white 6000K
- 6° or 25° beam angle
- Black aluminum anodized housing, 2mm thick safety glass
- Mounting with magnetic luminaire bracket
- Supplied with integrated power pack and 20 feet of cord and with three-prong plug

SPECIFICATIONS:

Voltage	95-240V; 50/60 Hz
Lamping	LED
Color Temperature	6000K
Lens Diameter	1.1" diameter
Fixture Dimension	7.5" in length
Total Reach	22.6"
Power Consumption	3W
Protection Rating	IP20
Cord/Plug	20' cord with three-prong plug
Certification	ETL/cETL



In inaccessible places, good lighting is particularly difficult. It is for this reason that the HLWQE is built to be as small and handy as a mini flashlight. Thanks to state-of-the-art LED technology, this luminaire knows no bounds when it comes to space. It is impact-proof, waterproof and does a good job even when in permanent use in the toughest conditions.