

# FLAT LED

## HIGH OUTPUT LED FLOOD LIGHT

### FEATURES:

- Narrow housing depth of only .8" (20 mm)
- Advanced optics to throw wide flood
- Repellent coating protects against heat, wear and corrosion
- High resistance to coolants and lubricants
- Impervious to mechanical vibration
- 50,000 hours maintenance-free operation

### SPECIFICATIONS:

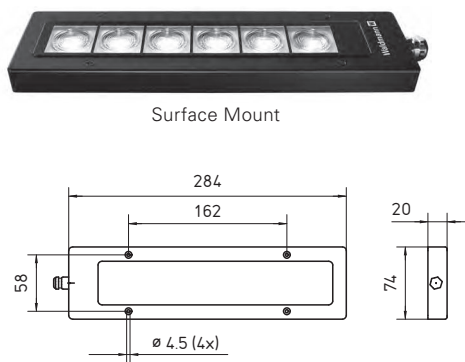
Voltage	10-30 VAC or 10-40 VDC
Lamping	LED
Color Temperature	6500 K
Beam Angle	60°
Luminaire Material	anodized aluminum
Lens Material	borosilicate glass
Dimension	11.2" x 2.9" (284 mm x 74 mm)
Max Temperature Rating	104°F (40°C)
Connection	10' cable with free stranded wires
Protection Rating	IP67
Certification	ETL/cETL
Mounting and accessories	See page 68



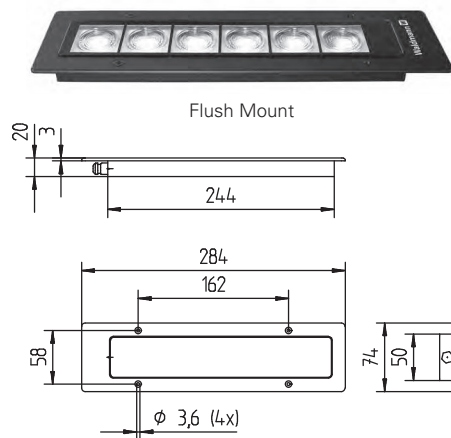
FLAT LED was designed with state-of-the-art, high-output LEDs with specially designed optics to produce intense, wide-area illumination in confined spaces. With an overall depth of only 7/8" and the ability to mount flush or on a machine surface, FLAT LED can be used for a variety of applications. With an IP67 rating against oil, steam, water, etc. – it's certified for protection against close-range high pressure spray downs. Intelligent electronics allow FLAT LED to directly connect to 24 VAC or VDC connection, without regard for polarity. The rugged anodized aluminum housing helps dissipate any heat, prolonging LED life. FLAT LED is maintenance-free for up to 50,000 hours at 100% efficiency. Minimal height, maximum luminous power, maintenance-free and energy efficiency make FLAT LED a smart solution for your machine application.



## DIMENSIONAL DATA



Surface Mount



Flush Mount

Measurements in millimeters

## ORDERING INFORMATION

Wattage	Version	Voltage	Lumens	Model	Part #
13 W	Surface	10-40 VDC	510	MYAL 6 S	112560000-00003069
13 W	Flush	10-40 VDC	510	MYEL 6 S	112560001-00003166
13 W	Surface	10-30 VAC	510	MYAL 6 S	112560002-00006272
13 W	Flush	10-30 VAC	510	MYEL 6 S	112560003-00006273
External Operating Devices		Max. Wattage	Input	Output	Part #
		20 W	100-277 VAC, 50/60 Hz	24 VDC	209585029
Required for 100-277 VAC operation		50 W	120 VAC, 50/60 Hz	24 VDC	209585030
		96 W	120-277 VAC, 50/60 Hz	24 VDC	209585032
Mounting Options		Item	Material	Part #	
		Swivel bracket	Galvanized steel	203081019-00019478	