

NORTH AMERICA

ATARO | PENDANT





ATARO | PENDANT – SPECIAL FEATURES AT A GLANCE.

Design.
Cutting-edge sophisticated form. A smooth, brushed aluminum frame presents a contemporary minimalistic design.



Flexibility and Control.

A variety of lengths and fittings. Technical flexibility. Switchable, dimmable, glare-free lighting. Easily compatible with existing building systems.

Lighting quality.

Waldmann's unique AMBIO glare-free technology disperses a wide span of light while using very little energy.

ATARO

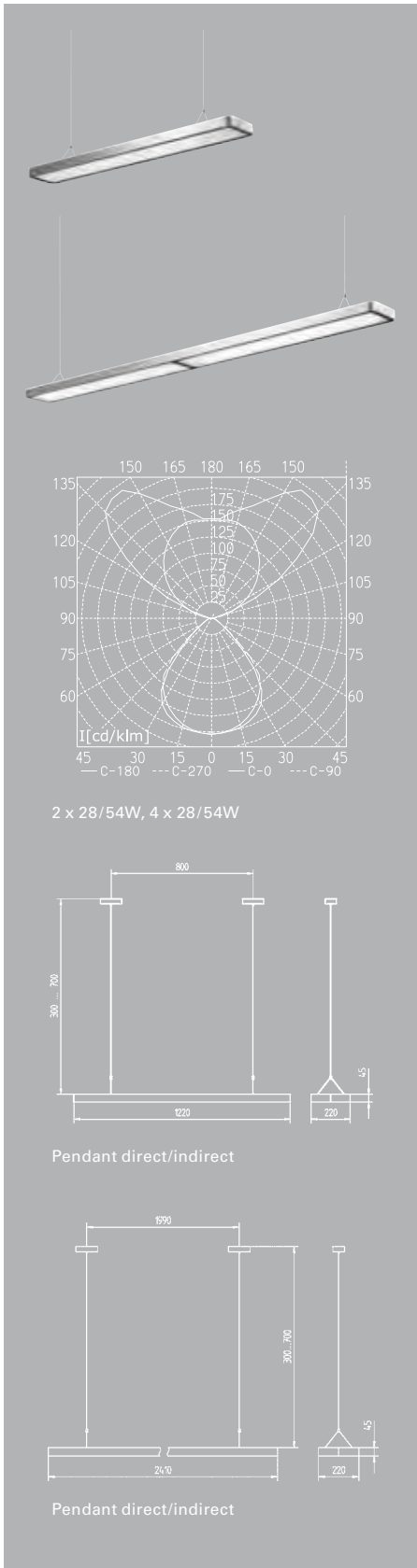
WITH **AMBIO OPTIC**



TECHNICAL DATA

TWO- AND FOUR-LAMP ATARO

PENDANT



INPUT VOLTAGE	120 – 277V; 50/60Hz
LAMPING	2-lamp versions = 2 x 28/54W T5 fluorescent lamps 4-lamp versions = 4 x 28/54W T5 fluorescent lamps
BALLAST TYPE	Electronic ballast
POWER CONSUMPTION	4ft. unit = 63W/119W; 8ft. unit = 126W/238W
POWER CABLE LENGTH	approx. 3.25 feet (1 meter) with free stranded wires
LUMINAIRE HOUSING	Anodized Aluminum
SUSPENSION TYPE	Steel Aircraft Cable 1 - 2.4 feet (0.3 – 0.7 meters)
STANDARD CONTROL	Remote Switching
LUMINAIRE EFFICIENCY	With cover 96 % (28W)/ 92 % (54W)
LIGHT DISTRIBUTION	Symmetrical; direct share approx. 33 %
LUMINAIRE OPTICS	AMBIO light-amplifying microprism, medium luminance on the reflector in accordance with the EN 12464-1 specifications

SPECIAL FEATURES

- Energy efficiency of > 90 %
- LPD is ≤ 1.1w per sq. ft. using example of 100 sq. ft. office
- Glare-free technology enables the luminaire to be positioned freely near windows or directly above a workspace without concern of direct or reflective glare
- Standard optics also available

VERSION	MODEL	LAMPING	PART #
Pendant direct/indirect switchable	DUP 228	2 x 28W	121 235 003
Pendant direct/indirect dimmable	DUP 228/D	2 x 28W	*
Pendant direct/indirect switchable	DUP 254	2 x 54W	121 236 003
Pendant direct/indirect dimmable	DUP 254/D	2 x 54W	*
Pendant direct/indirect switchable	DUP 428/2	4 x 28W	121 239 003
Pendant direct/indirect dimmable	DUP 428/D	4 x 28W	*
Pendant direct/indirect switchable	DUP 454/2	4 x 54W	121 240 003
Pendant direct/indirect dimmable	DUP 454/D	4 x 54W	*

*Consult factory for specified dimming options.

The Ataro is also available in free-standing and desk-mount versions, pictured below.

