

light source

work equipment  
connected load  
Power consumption  
luminous flux  
luminous efficacy  
light distribution  
color temperature  
color rendering index (CRI)  
glare control  
System of protection  
class of protection  
technology  
operation  
luminaire body

lamp cover  
weight (net)  
mains supply

design  
Fastening  
dimension

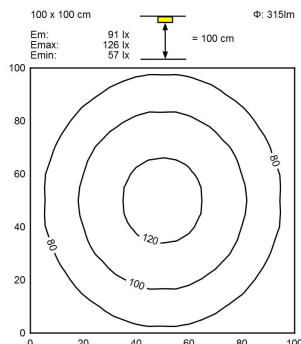
special features

LED

Energy efficiency category A/A+/A++  
without  
22-26 V; DC  
approx. 2,5 W  
approx. 315 lm  
approx. 126 lm/W  
direct  
neutral white, approx. 5000 K  
>= 80  
screen  
IP54  
III  
multi-stage switchable  
external  
aluminium/plastic, anodised; painted, aluminium coloured  
anodised  
Acrylic satine  
approx. 0.1 kg (0.22 lb)  
built-in plug  
M12-A-5  
mounted version  
bracket  
A=195mm, C=150mm, C1=180mm  
A=7.67 in, C= 5.9 in, C1=7.08 in  
ADVANCED package, through-wired



illuminance



luminous intensity

