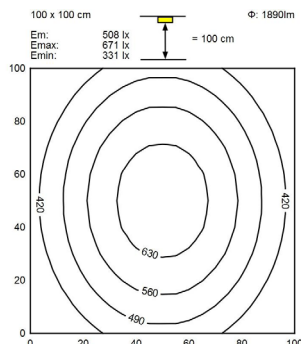


light source	LED
work equipment	Energy efficiency category A/A+/A++
connected load	without
Power consumption	22-26 V; DC
luminous flux	approx. 18 W
luminous efficacy	approx. 1890 lm
light distribution	approx. 105 lm/W
colour temperature	direct
color rendering index (CRI)	neutral white, approx. 5000 K
glare control	> 80
System of protection	screen
class of protection	IP54
technology	III
operation	switchable
luminaire body	external
	aluminium/plastic, anodised; painted, aluminium coloured
	anodised
lamp cover	Acrylic satine
weight (net)	approx. 0.4 kg, (0.88 ln)
mains supply	built-in plug
	M12-A-5
design	mounted version
Fastening	bracket
dimension	A=895mm, C=850mm, C1=880mm
	A=35.23in C=33.46in, C1=34.64in
special features	through-wired



illuminance



luminous intensity

