

SUITABLE FOR MODEL DFE2×2/DFE1×4/DFE2×4



IMAGE MAY VARY FROM ACTUAL PRODUCT

SAFETY INSTRUCTION

READ CAREFULLY BEFORE INSTALLING FIXTURE. PLEASE KEEP THIS MANUAL FOR FUTURE.

Fixtures must be wired in accordance with the National Electrical Code and all applicable local codes. Proper grounding is required for safety.

THIS PRODUCT MUST BE INSTALLED IN ACCORDANCE TO APPLICABLE CODES BY A QUALIFIED PERSON FAMILIAR WITH THE CONSTRUCTION AND OPERATION OF THE PRODUCT AND THE HAZARDS INVOLVED.

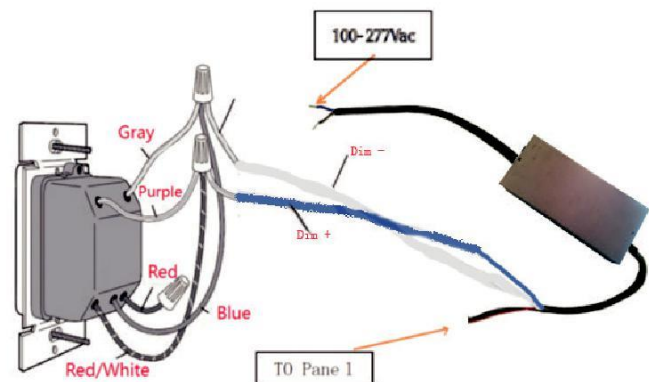
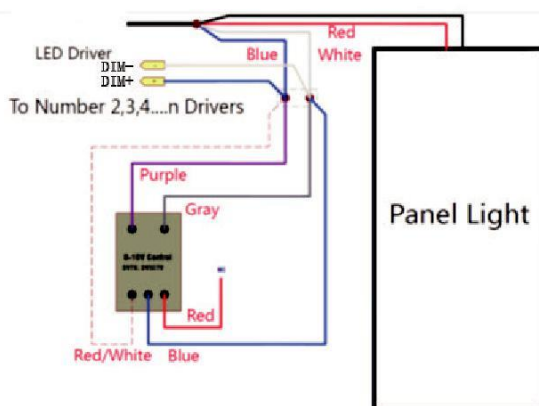
MAKE CERTAIN POWER OFF BEFORE INSTALLING OR MAINTAINING FIXTURE.

CHECK THAT VOLTAGE IS COMPATIBLE WITH FIXTURE DRIVER, USE APPROVED CONNECTORS FOR ALL ELECTRICAL CONNECTIONS.

MAINTENANCE CAUTION

1. Review the diagrams before beginning, and make sure fixture is grounded properly.
2. For lighting controls, using functioning correctly.
3. Turn power off and wait for fixture cooling to operate.
4. Maintenance must be done by professionals.

WIRE CONNECTION



WARNING

WARNING-RISK OF FIRE OR ELECTRIC SHOCK. Installation requires knowledge of basic electrical wiring. If not qualified, do not attempt installation and contact a qualified electrician.

Voltage input: 120-277V 50/60 Hz

Operating temp: -4°F to 104°F

**Consult with dimmer control manufacturer's wiring instructions

INSTALLATION

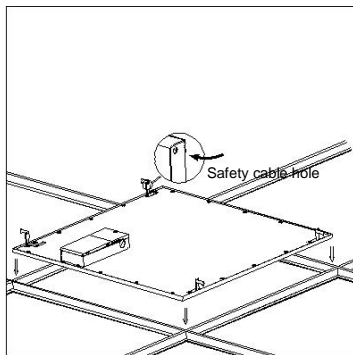
RECESSED MOUNT

1. Accessory bag included.
2. Use chart to make sure all ceiling requirements are met.

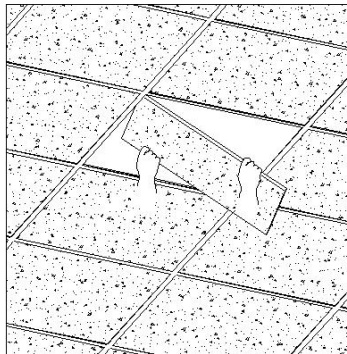
SPEC	Size/mm	External size of Tchannel/mm	Internal size of Tchannel/mm	N. W. / Kg
1x4	300 x 210	280 x 1190	303 x 1213	4
2x2	600 x 600	580 x 580	603 x 603	4
2x4	600x210	580 x 1190	603 x 1213	7.5

Confirm the dimensions of the ceiling are compatible with light fixture.
Confirm load-bearing is enough to support the lamp.

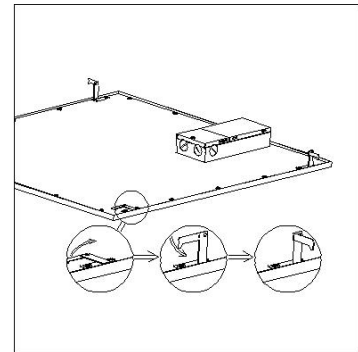
5. Insert luminaire into T-bar ceiling grid. Secure safety cable to connection hole as needed to meet local seismic requirements. Safety cable and method of attachment to the building provided by contractor according to local building codes.



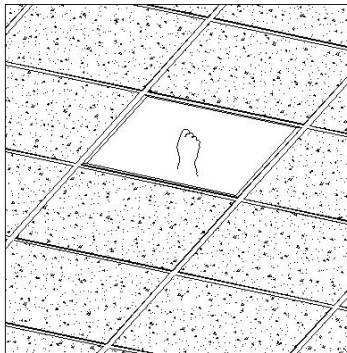
3. Remove ceiling panel.



4. Lift up four (four for 2X2, six for 1X4 and 2X4) mounting clips on the sides of the luminaire.
Wear work gloves or use pliers to prevent injury.



6. Check that light fixture is securely fixed in ceiling grids.



WARRANTY

LIMITED FIVE-YEAR WARRANTY. Should this product fail to perform satisfactorily due to a defect or poor workmanship within five years from the date of purchase, return it to the place of purchase and it will be replaced, free of charge. Incidental or consequential damages are excluded from the warranty.