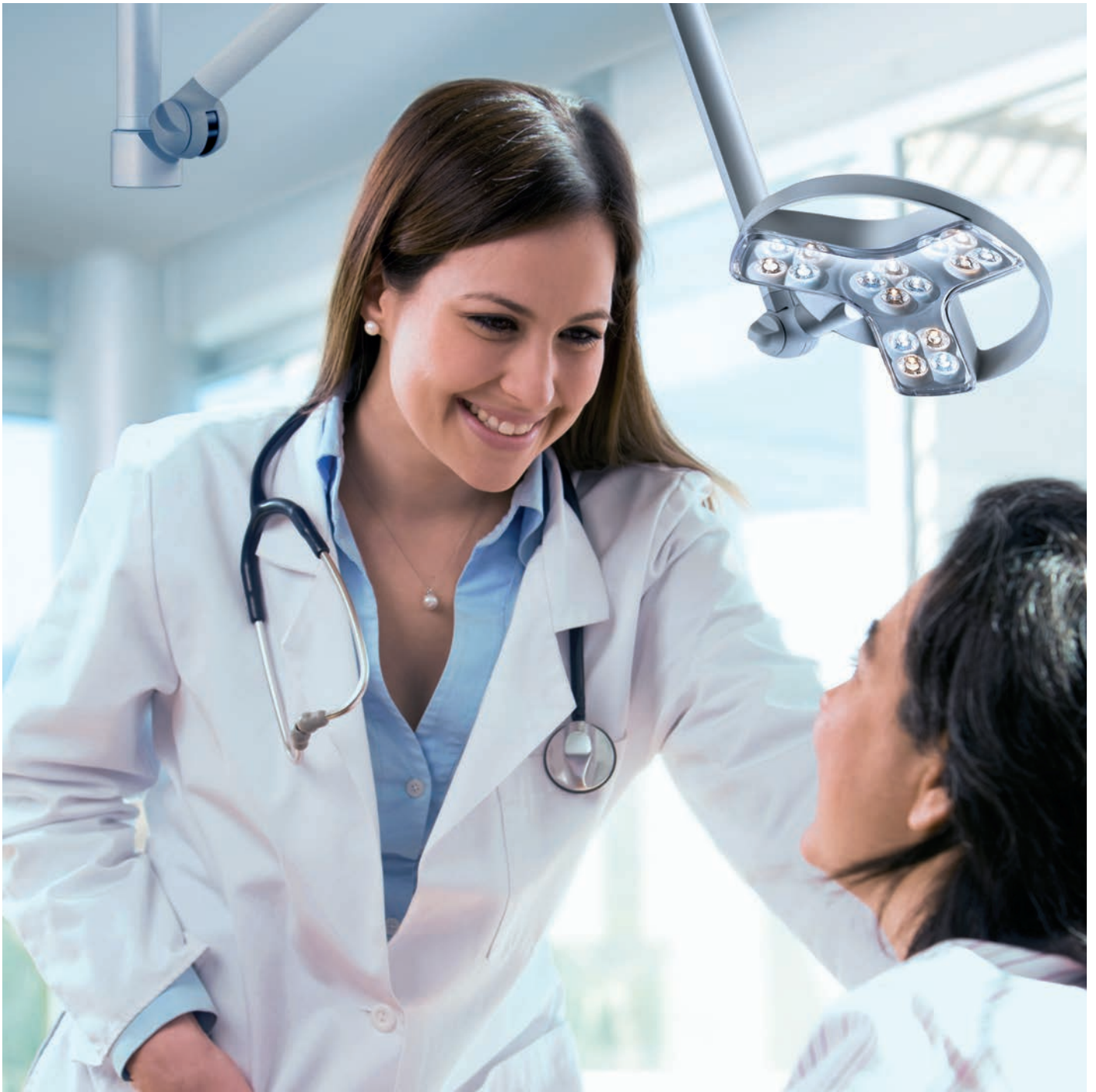


**Waldmann** **W**

ENGINEER OF LIGHT.

---

**VISIANO**  
LED EXAMINATION LUMINAIRE



## THE NEW Dmed® VISIANO SHINES THROUGH WITH INNOVATION AND DESIGN

Wherever the highest standards of vision apply, uncompromising lighting is essential. In a family practice or a specialist's office, neonatal unit or intensive care, VISIANO is a very helpful tool. With its unique design, state-of-the-art lighting technology and ergonomic controls, VISIANO provides optimal lighting conditions for exams and procedures.

- Highest lighting quality:**  
 The unique light head design, diamond optics and premium LEDs assure an evenly lit light field and high illuminance level (60,000 lx/0.5 m) as well as excellent color rendering (CRI>95)
- Safety approval:**  
 Meets IEC 60601 3<sup>rd</sup> edition technical standards for the safety and effectiveness of medical electrical equipment. ETL/cETL approved
- Maximum reach and ergonomics:**  
 360° rotational axis at the luminaire head, long 50-inch arm reach
- Dimming and color control:**  
 Color temperatures can be switched from 3500K and 4500K and further personalized with four dimming levels
- Easy cleaning:**  
 Completely enclosed system for safe and easy cleaning with disinfectant spray (IP43)
- High quality components:**  
 Aluminum arm for strength and rigidity, friction joints for ease of motion
- Integrated low voltage transformer:**  
 For maximum electrical safety and energy efficiency
- Long service life and maintenance-free:**  
 Low power consumption with 16 premium LEDs and integrated converter, maintenance-free housing





**Unique optics:**  
365 fine slats provide an optimal color mixing of light



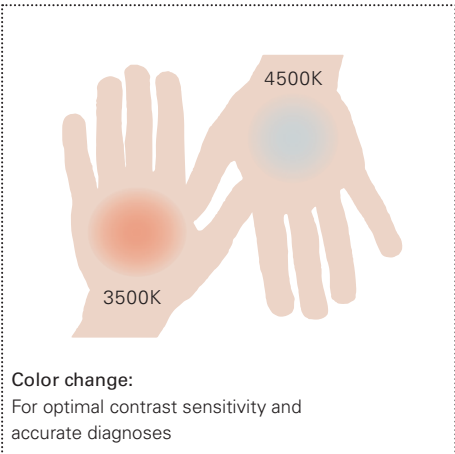
**Spring-balanced friction joint:**  
Can be easily and reliably locked into position



**Intuitive control panel:**  
Ergonomic and intuitive to operate with one hand



**Concave light head:**  
Optimal light focus and uniform light field for surgical quality performance



**Color change:**  
For optimal contrast sensitivity and accurate diagnoses



**360° head rotation:**  
Maximum flexibility within reach

## DESIGNED FOR SIMPLICITY

### EASY TO USE, EASY TO CLEAN

The available mounting options are as diverse as the applications for the new VISIANO, including ceiling installation or mounting on a wall, table, rail or floor stand. The ergonomic design makes VISIANO easy to maneuver and the enclosed design and antimicrobial sanitized® enhanced materials help to keep the fixture clean and maintenance-free.

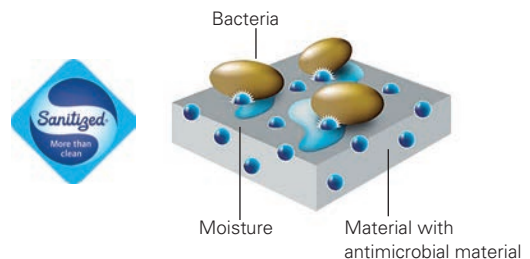


## KEEPING HYGIENE A PRIORITY

### Protection against the spread of bacteria

In a medical setting in particular, inhibiting the spread of harmful bacteria and germs is a critical task. VISIANO is manufactured with a biocidal incorporated into the luminaire material for the upper luminaire housing, the control panel and the hand wheels of the joints. Please note: This sanitizing component does not replace the need for regular cleaning.

The biocidally active component is integrated into the lamp head during the manufacturing process, inhibiting the growth and proliferation of microbes and bacteria. This prevents the cell from breathing and spreading to other areas. In laboratory testing, 99% of bacteria and germs were destroyed. It has also been established that this material is not hazardous to the health or safety of patient and staff.



## MOUNTING OPTIONS

### THE PERFECT OPTION FOR EVERY SITUATION

- Illumination intensity 60,000 lx/0.5 m
- Lighting field: 8.3 inches
- Color temperatures: 3500K and 4500K
- 4 dimming levels
- Diamond optic design reduces shadows
- Ergonomic controls allow for one-handed operation
- Spring-balanced arm joints lock in position
- Pure white / gray

#### Ceiling mount version



Ceiling pole max. 45 inches (can be cut to length)



#### Pin-mount version

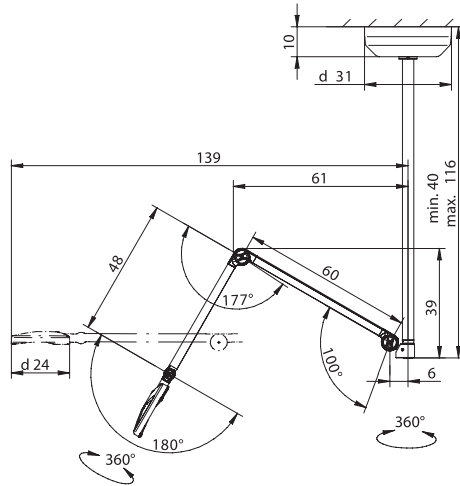


16 mm pin mount for table, wall, rail  
or rolling floor stand



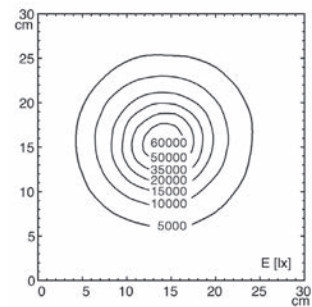
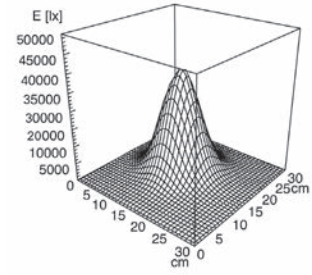
# VISIANO

## Technical drawing 20-2 C T1



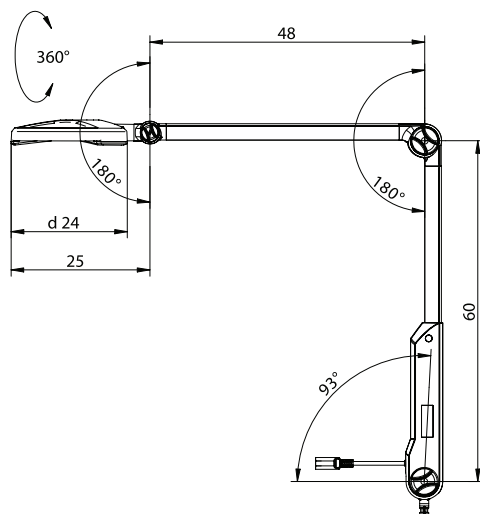
measurements in centimeters

## Light distribution



Photometric data -10% / +20% tolerance

## Technical drawing 20-2 P TX



measurements in centimeters

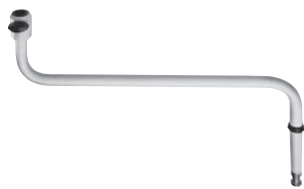
# VISIANO

## ORDERING INFORMATION

MODEL	MOUNTING INCLUDED	PART #
VISIANO 20-2 CT1	ceiling	D15 594 000
VISIANO 20-2 PTX	table clamp	D15 461 100
VISIANO 20-2 PTX	floor stand	D15 461 110
VISIANO 20-2 PTX	wall mount	D15 461 120
VISIANO 20-2 PTX	rail mount	D15 461 150

## ACCESSORIES

ITEM	DESCRIPTION	PART #
Extension Arm, 15" reach	white	D13 363 000
Table Clamp	black	D14 228 000
Rolling Floor Stand	black/silver	US1 043 019
Wall Mount	white	D13 231 000
Rail Mount	silver	D13 269 000



**HEADQUARTERS GERMANY**  
Herbert Waldmann GmbH & Co. KG  
Postfach 50 62  
78057 VILLINGEN-SCHWENNINGEN

**GERMANY**  
Telephone +49 7720 601-0  
Telephone +49 7720 601-100 (Sales)  
Fax +49 7720 601-290  
www.waldmann.com  
sales.germany@waldmann.com

**FRANCE**  
Waldmann Eclairage S.A.S.  
Zone Industrielle  
Rue de l'Embranchement  
67116 REICHESTETT  
FRANCE  
Telephone +33 3 88 20 95 88  
Fax +33 3 88 20 95 68  
www.waldmann.com  
info-fr@waldmann.com

**ITALY**  
Waldmann Illuminotecnica S.r.l.  
Via della Pace, 18 A  
20098 SAN GIULIANO MILANESE (MI)  
ITALY  
Telephone +39 02 98 24 90 24  
Fax +39 02 98 24 63 78  
www.waldmann.com  
info-it@waldmann.com

**THE NETHERLANDS**  
Waldmann B.V.  
Lingewei 19  
4004 LK TIEL  
THE NETHERLANDS  
Telephone +31 344 631019  
Fax +31 344 627856  
www.waldmann.com  
info-nl@waldmann.com

**AUSTRIA**  
Waldmann Lichttechnik Ges.m.b.H.  
Gewerbepark Wagram 7  
4061 PASCHING/LINZ  
AUSTRIA  
Telephone +43 7229 67400  
Fax +43 7229 67444  
www.waldmann.com  
info-at@waldmann.com

**SWEDEN**  
Waldmann Ljusteknik AB  
Skebokvarnsvägen 370  
124 50 BANDHAGEN  
SWEDEN  
Telephone +46 8 990 350  
Fax +46 8 991 609  
www.waldmann.com  
info-se@waldmann.com

**SWITZERLAND**  
Waldmann Lichttechnik GmbH  
Benkenstrasse 57  
5024 KÜTTIGEN  
SWITZERLAND  
Telephone +41 62 839 1212  
Fax +41 62 839 1299  
www.waldmann.com  
info-ch@waldmann.com

**UNITED KINGDOM**  
Waldmann Lighting Ltd.  
7 Millfi eld House  
Croxley Green Business Park  
WATFORD WD18 8YX  
UNITED KINGDOM  
Telephone +44 1923 800030  
Fax +44 1923 800016  
www.waldmann.com  
info-uk@waldmann.com

**USA**  
Waldmann Lighting Company  
9 W. Century Drive  
WHEELING, ILLINOIS 60090  
USA  
Telephone +1 847 520 1060  
Fax +1 847 520 1730  
www.waldmannlighting.com  
waldmann@waldmannlighting.com

**CHINA**  
Waldmann Lighting (Shanghai) Co., Ltd.  
Part A11a, No. Five Normative Workshop  
199 Changjian Road, Baoshan  
SHANGHAI, P.R.C. 200949  
CHINA  
Telephone +86 21 5169 1799  
Fax +86 21 3385 0032  
www.waldmann.com  
info@waldmann.com.cn

**SINGAPORE**  
Waldmann Lighting Singapore Pte. Ltd.  
22 Cross Street, #02-50/51  
South Bridge Court  
SINGAPORE 048421  
SINGAPORE  
Telephone +65 6275 8300  
Fax +65 6275 8377  
www.waldmann.com  
sales-sg@waldmann.com

**INDIA**  
Waldmann Lighting Pvt. Ltd.  
Plot No. 52  
Udyog Vihar  
Phase-VI, Sector-37  
GURGAON-122001, Haryana  
INDIA  
Telephone +91 124 412 1600  
Fax +91 124 412 1611  
www.waldmann.com  
sales-in@waldmann.com